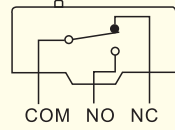


LTM-1 MICRO SWITCH

Product Feature

- Wide range of actuators; and the operating position can be adjusted.
- High opening and closing capacity (15A)
- High precision
- Wide range of operating speed

Contact Diagram



Specifications

Operation Speed	0.01mm to 1m/sec (Plunger type)
Operation Frequency	Mechanical: times/minute Electrical: times/minute
Contact Resistance	15m Ω Max. (in the initial)
Insulation Resistance	Over 100M Ω (Below 500VDC)
Dielectric Strength	1,000VAC, 50/60Hz for 1 minute between discontinuous terminal
	1,500VAC, 50/60Hz for 1 minute between current carrying parts and non-current carrying parts
Vibration Resistance	1,500VAC, 50/60Hz for 1 minute between Terminal and GND
	10 to 50Hz: 1.5mm bi-amplitude
Shock Resistance	Mechanical Durability: 1,000m/Sec ² (About 100G'S)
	Malfunction Durability: 300m/Sec ² (About 30G'S)
Operation Temperature	In use: -10 ~ +80°C (No freezing)
Operation Humidity	Below 95%RH
Life	Mechanical: Above 10,000,000 operations
	Electrical: Above 500,000 operations
Weight	22 to 58g
IP Degree	IP65

Operating Characteristics

Type	LTM-1701	LTM-1702	LTM-1703	LTM-1704	LTM-1705	LTM-1306	LTM-1307	LTM-1308 LTM-1309
OF Max.	70g	160g	100g	160g	10g	350g	350g	350g
RF Min.	14g	28g	22g	42g	3g	114g	114g	114g
PT Max.	10mm	3mm	7.1mm	2.7mm	20mm	0.4mm	0.4mm	0.4mm
OT Min.	5.6mm	2mm	4mm	2.4mm	5.6mm	1.6mm	5.5mm	3.58mm
MD Max.	1.27mm	1mm	1.02mm	0.5mm	3mm	0.05mm	0.05mm	0.05mm
PF Max.	28.2mm	24.8mm	36.5mm	32.5mm				
OP	19±0.8	19±0.4	30.2±0.8	30.2±0.4	19±0.8	21.5±0.5	21.8 ± 0.8	33.4±1.2

Model Code

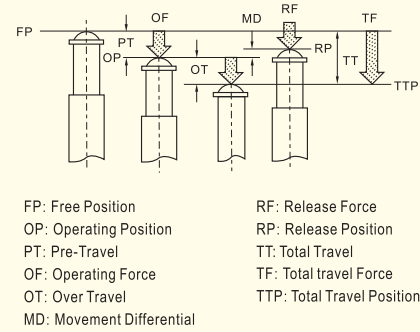
- LTM-1□ □: Transmission Type
- 306: Plunger Button Type 701: Lever Type
- 307: Plunger Long Button Type 702: Short Lever Type
- 308: Roller Plunger type 703: Roller Lever Type
- 309: Cross roller plunger type 704: Roller Short Lever Type
- 705: Roller Long Lever Type

Ratings

Rated voltage	Non-Inductive Load(A)		Inductive Load (A)		Inrush current(A)			
	Resistive Load	Lamp Load	Inductive Load	Motor Load				
	NC	NO	NC	NO	NC	NO		
125VAC	15	3	1.5	15	5	2.5	Below 30	Below 15
250VAC	15	2.5	1.25	15	3	1.5		
500VAC	3	1.5	0.75	2.5	1.5	0.75		
8VDC	15	3	1.5	15	5	2.5		
14VDC	15	3	1.5	10	5	2.5		
30VDC	6(2)	3	1.5	5	5	2.5		
125VDC	0.4	0.4	0.4	0.05	0.05	0.05		
250VDC	0.2	0.2	0.2	0.03	0.03	0.03		

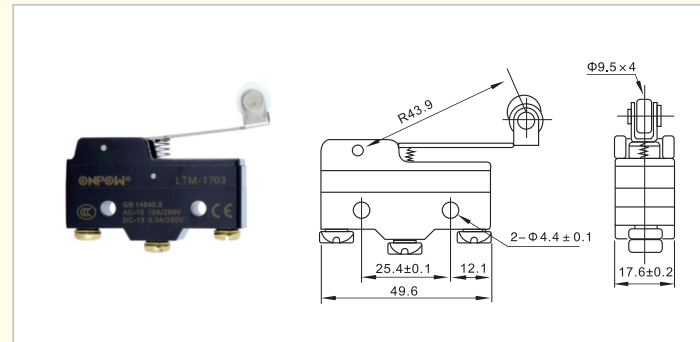
Notes: 1. The power factor of Inductive Load is over 0.4(AC).
And usually the time constant is below 7 msec(DC).

2. The inrush current of Lamp Load is 10 times as than in stable condition, and Motor current is 6 times as than in stable condition.

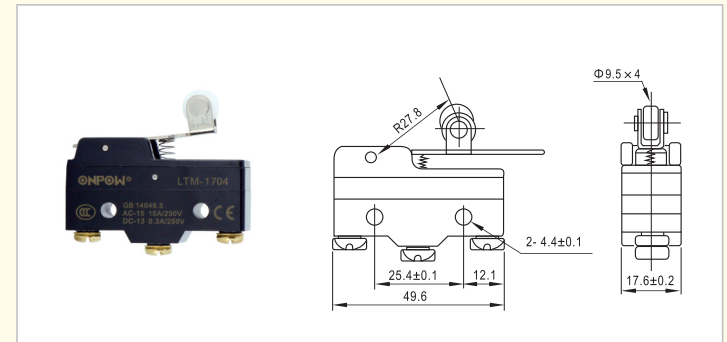


LTM-1 MICRO SWITCH

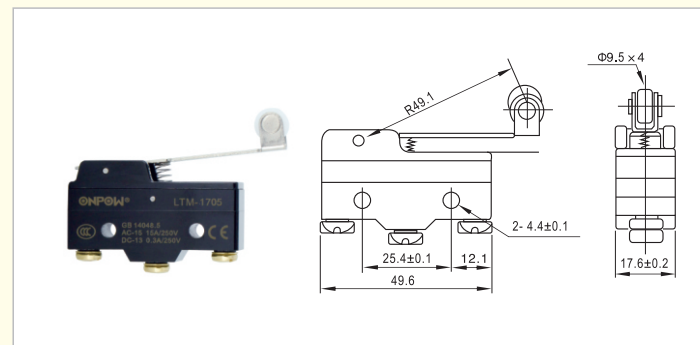
LTM-1703



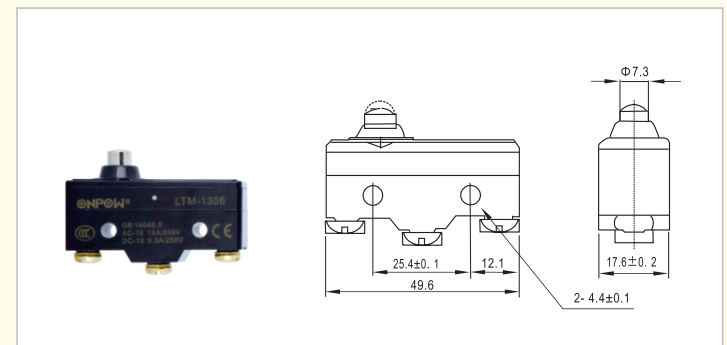
LTM-1704



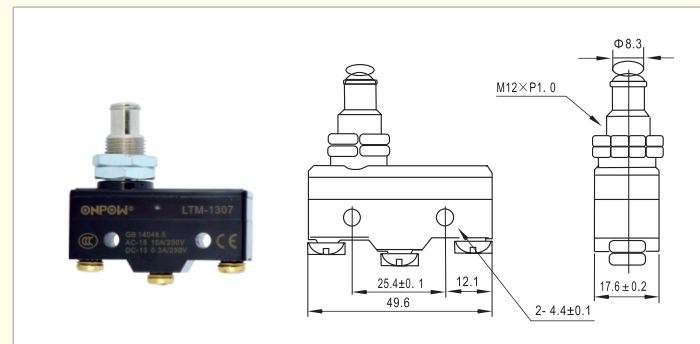
LTM-1705



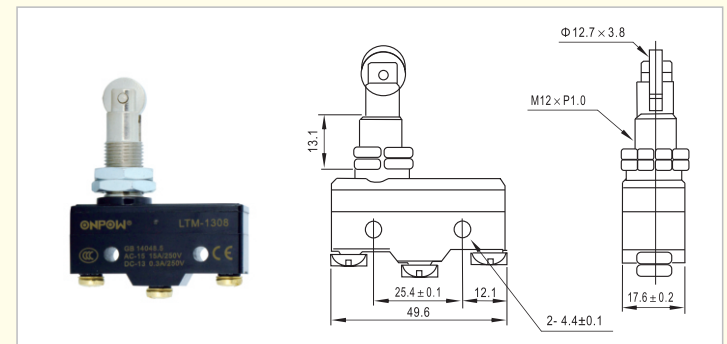
LTM-1306



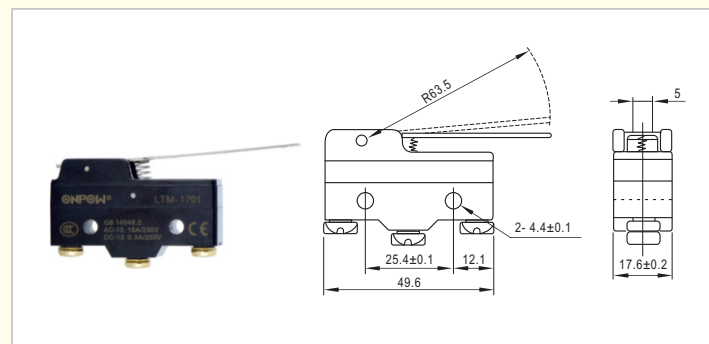
LTM-1307



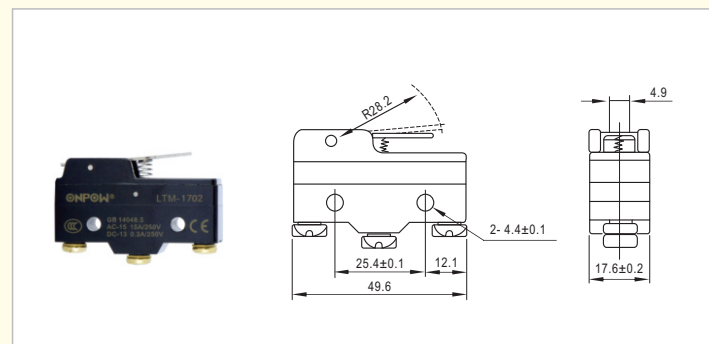
LTM-1308



LTM-1701



LTM-1702



LTM-1309

