

Characteristic

LAS2/3/4 series products have compact structure, three head shapes of round, square and rectangular, are the best choice of user for small panel.

Specs Including pushbutton, signal light; mounting hole diameter is $\Phi 12\text{mm}$ (LAS2), $\Phi 10\text{mm}$ (LAS3), $\Phi 8\text{mm}$ (LAS4).

Performance Stable function, low contact resistance, strong insulation resistance and anti-vibration etc.

Structure Use fast-break structure, each switch element contains 1NO1NC. LAS2 could use 2 switch elements at most; LAS3 and LAS4 could use 1 switch element at most.

Protective Degree IP40



Switch Ratings

Rated Insulation Voltage Ui			250V			
Thermal Current Ith			3A Temperature rise can't over the Max. rating current			
Rated Voltage			12V	24V	110V	220V
Rated Current	AC 50/60Hz	Resistive Load	—	—	1A	0.5A
		Inductive Load	—	—	0.7A	0.5A
	DC	Resistive Load	1A	1A	0.2A	—
		Inductive Load	0.7A	0.7A	0.1A	—
Contact Material			Silver Alloy			

Minimum load:3VAC/DC 5mA (use range depend on operation environment and load type)

Lamp Ratings

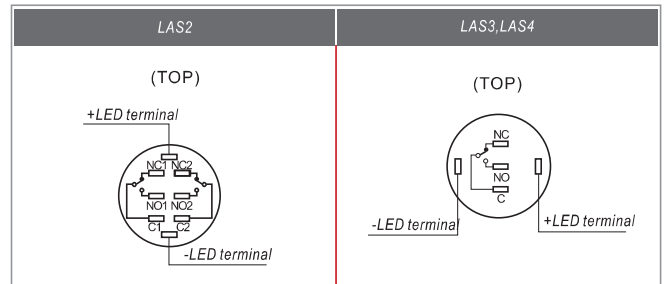
Lamp Type	AC LED			External Resistor Diagram
Rated Voltage	AC/DC6V	AC/DC12V	AC/DC24V	
		AC/DC110V		AC/DC220V
LED Color	R	G	Y B W	
Life	About 40000 hours			

Note: need external resistor for the pushbutton need external resistor for the pushbutton over 60V(refer to the diagram); others use internal resistor. DC LED could be customized; red & green dual-color LED could be customized.

Specification

Operating Temperature	-25°C~+55°C (no freezing) Keep good ventilation round the switch.	
Operating Humidity	45~85%RH(no condensation)	
Contact Resistance	≤50mΩ	
Insulation Resistance	>100MΩ (500VDC)	
Dielectric Strength	Between contact and LED terminals	1500V, AC 50Hz, 1 min
	Between terminals of the same pole	1500V, AC 50Hz, 1 min
	Between terminals of different poles	2000V, AC 50Hz, 1 min
Operating Travel	About 3mm	
Solder Heat Resistance	320°C 3s	
Mechanical Life	Momentary:200,000 times; Latching:100,000 times	
Electrical Life	≥50,000 cycles	

Circuit



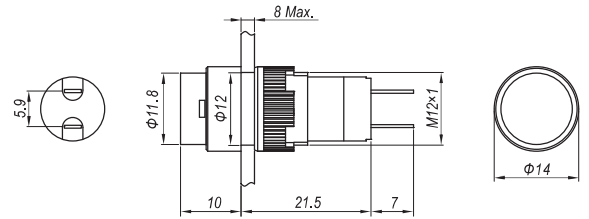
Installation Dimension

Type	LAS2			LAS3			LAS4		
	A	B	C	A	B	C	A	B	C
Round	12mm	14mm	≥14mm	10mm	≥12mm	≥12mm	8mm	10mm	10mm
Sqaure	12mm	14mm	14mm	10mm	12mm	12mm	8mm	10mm	10mm
Rectangular	12mm	≥14mm	18mm	10mm	12mm	≥16mm	8mm	10mm	14mm

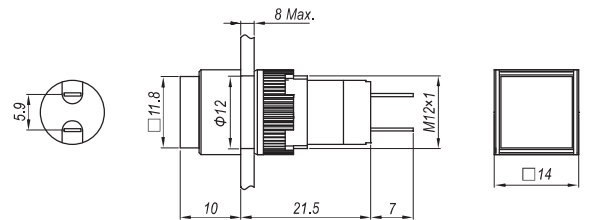
Φ12mm Product Outline **Specification** **Dimension**



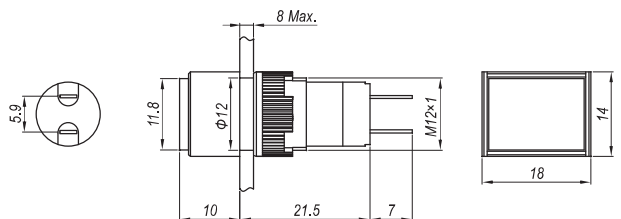
LED Color △ **R G Y B W**
 LED Voltage ▲ 6V / 12V / 24V / 110V / 220V
 Protection Degree IP40



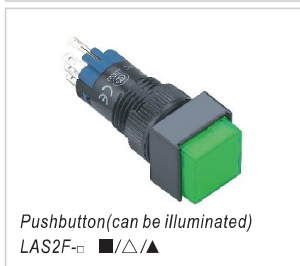
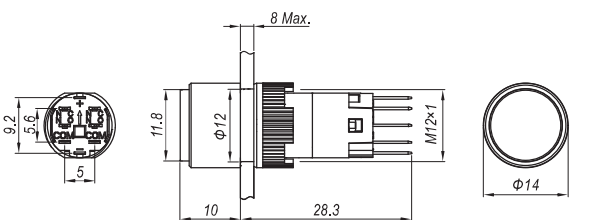
LED Color △ **R G Y B W**
 LED Voltage ▲ 6V / 12V / 24V / 110V / 220V
 Protection Degree IP40



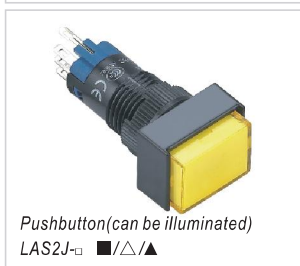
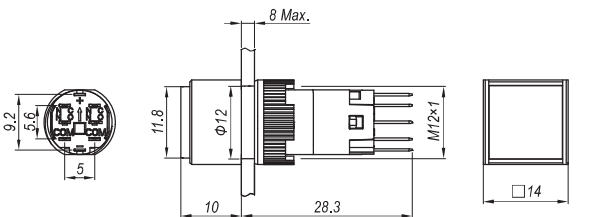
LED Color △ **R G Y B W**
 LED Voltage ▲ 6V / 12V / 24V / 110V / 220V
 Protection Degree IP40



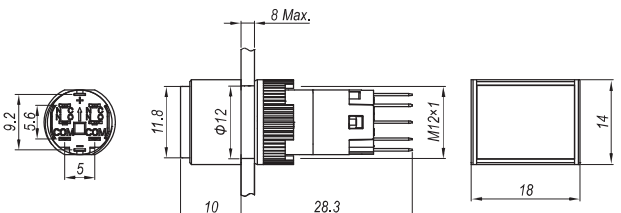
Contact □ 11: 1NO1NC / 22: 2NO2NC
 Operation Type No letter means momentary / Z: Latching
 Color △ **R G Y B W N**
 LED Voltage ▲ 6V / 12V / 24V / 220V
 Protection Degree IP40
 Accessory Solder Terminal S20 / PCB Terminal S20-A / Sealing Cover S09-S2Y


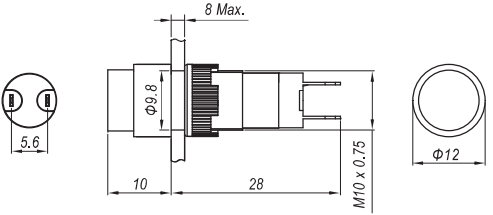

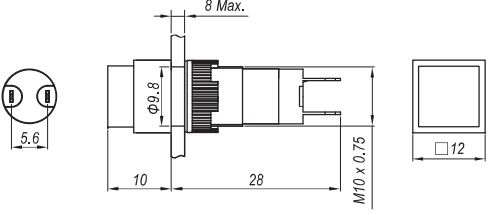

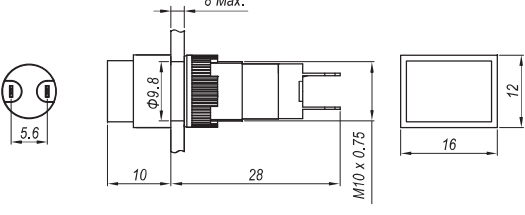

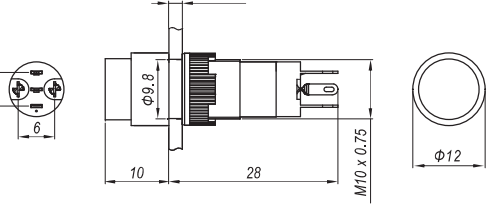
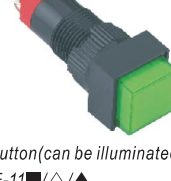
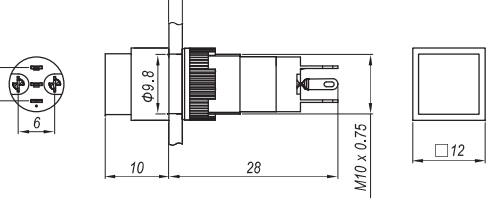

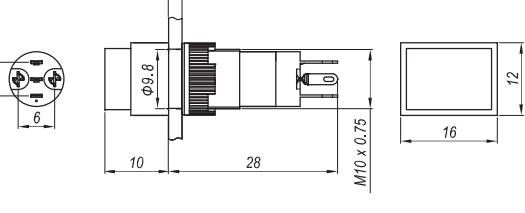



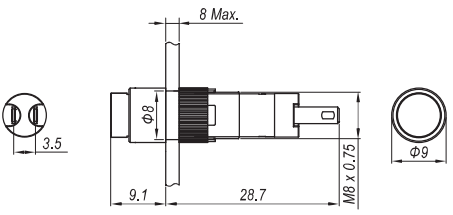

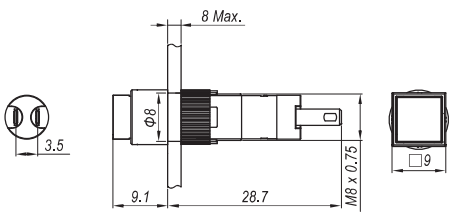
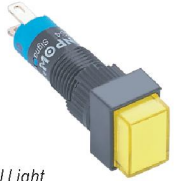
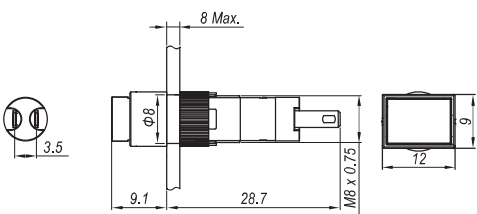

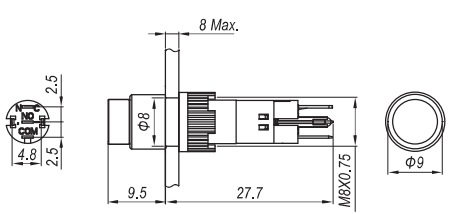

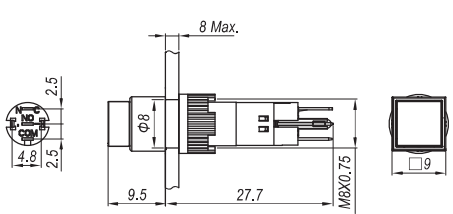

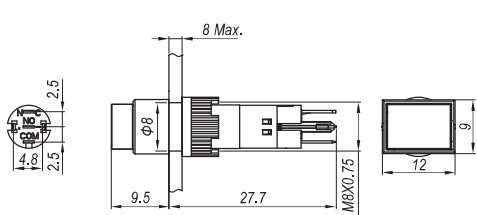
Contact □ 11: 1NO1NC / 22: 2NO2NC
 Operation Type No letter means momentary / Z: Latching
 Color △ **R G Y B W N**
 LED Voltage ▲ 6V / 12V / 24V / 220V
 Protection Degree IP40
 Accessory Solder Terminal S20 / PCB Terminal S20-A / Sealing Cover S09-S2F



Contact □ 11: 1NO1NC / 22: 2NO2NC
 Operation Type No letter means momentary / Z: Latching
 Color △ **R G Y B W N**
 LED Voltage ▲ 6V / 12V / 24V / 220V
 Protection Degree IP40
 Accessory Solder Terminal S20 / PCB Terminal S20-A / Sealing Cover S09-S2J



Φ10mm Product Cutline	Specification	Dimension
 <p>Signal Light LAS3Y-D/△/▲</p>	<p>LED Color△ R G Y B W</p> <p>LED Voltage▲ 6V / 12V / 24V / 110V / 220V</p> <p>Protection Degree IP40</p>	
 <p>Signal Light LAS3F-D/△/▲</p>	<p>LED Color△ R G Y B W</p> <p>LED Voltage▲ 6V / 12V / 24V / 110V / 220V</p> <p>Protection Degree IP40</p>	
 <p>Signal Light LAS3J-D/△/▲</p>	<p>LED Color△ R G Y B W</p> <p>LED Voltage▲ 6V / 12V / 24V / 110V / 220V</p> <p>Protection Degree IP40</p>	
 <p>Pushbutton(can be illuminated) LAS3Y-11/■/△/▲</p>	<p>Contact 11: 1NO1NC</p> <p>Operation Type No letter means momentary / Z: Latching</p> <p>Color△ R G Y B W N</p> <p>LED Voltage▲ 6V / 12V / 24V / 220V</p> <p>Protection Degree IP40</p>	
 <p>Pushbutton(can be illuminated) LAS3F-11/■/△/▲</p>	<p>Contact 11: 1NO1NC</p> <p>Operation Type No letter means momentary / Z: Latching</p> <p>Color△ R G Y B W N</p> <p>LED Voltage▲ 6V / 12V / 24V / 220V</p> <p>Protection Degree IP40</p>	
 <p>Pushbutton(can be illuminated) LAS3J-11/■/△/▲</p>	<p>Contact 11: 1NO1NC</p> <p>Operation Type No letter means momentary / Z: Latching</p> <p>Color△ R G Y B W N</p> <p>LED Voltage▲ 6V / 12V / 24V / 220V</p> <p>Protection Degree IP40</p>	

Φ8mm Product Cutline	Specification	Dimension
 <p>Signal Light LAS4Y-D/△/▲</p>	<p>LED Color△ R G Y B W</p> <p>LED Voltage▲ 6V / 12V / 24V / 110V / 220V</p> <p>Protection Degree IP40</p>	
 <p>Signal Light LAS4F-D/△/▲</p>	<p>LED Color△ R G Y B W</p> <p>LED Voltage▲ 6V / 12V / 24V / 110V / 220V</p> <p>Protection Degree IP40</p>	
 <p>Signal Light LAS4J-D/△/▲</p>	<p>LED Color△ R G Y B W</p> <p>LED Voltage▲ 6V / 12V / 24V / 110V / 220V</p> <p>Protection Degree IP40</p>	
 <p>Pushbutton(can be illuminated) LAS4Y-11■/△/▲</p>	<p>Contact 11: 1NO1NC</p> <p>Operation Type No letter means momentary / Z: Latching</p> <p>Color△ R G Y B W N</p> <p>LED Voltage▲ 6V / 12V / 24V / 220V</p> <p>Protection Degree IP40</p>	
 <p>Pushbutton(can be illuminated) LAS4F-11■/△/▲</p>	<p>Contact 11: 1NO1NC</p> <p>Operation Type No letter means momentary / Z: Latching</p> <p>Color△ R G Y B W N</p> <p>LED Voltage▲ 6V / 12V / 24V / 220V</p> <p>Protection Degree IP40</p>	
 <p>Pushbutton(can be illuminated) LAS4J-11■/△/▲</p>	<p>Contact 11: 1NO1NC</p> <p>Operation Type No letter means momentary / Z: Latching</p> <p>Color△ R G Y B W N</p> <p>LED Voltage▲ 6V / 12V / 24V / 220V</p> <p>Protection Degree IP40</p>	

Characteristic

LAS1 series products have complete range, good-looking appearance. Some products have three types of head shape: round, square and rectangular (see details from content page). Have two kinds of switch base: pin terminal and soldering type, could meet customer's different requirements.

Specs Including pushbutton, signal light, emergency-stop switch, selector switch, key-lock switch, mushroom switch; mounting hole diameter is $\Phi 16\text{mm}$.

Performance Stable function, low contact resistance, strong insulation resistance and anti-vibration etc. Meet the standards of IEC60947-5-1, GB/T14048.5 etc.

Structure The switch element is "double-break fast-motion, self-cleaning". Each element contains 1NO+1NC contacts, each pushbutton could use 1~4 pcs elements (except for pin terminal version).

Protective Degree IP40



Switch Ratings

Rated Insulation Voltage U_i		250V				
Thermal Current I_{th}		5A Temperature rise can't over the Max. rating current				
Rated Voltage		12V	24V	110V	220V	
Rated Current	AC 50/60Hz	Resistive Load	—	5A	3A	
		Inductive Load	—	3A	2A	
	DC	Resistive Load	5A	5A	1A	0.5A
		Inductive Load	2A	2A	0.2A	0.1A
Contact Material		Silver Alloy				

Minimum load: 3VAC/DC 5mA (use range depend on operation environment and load type).

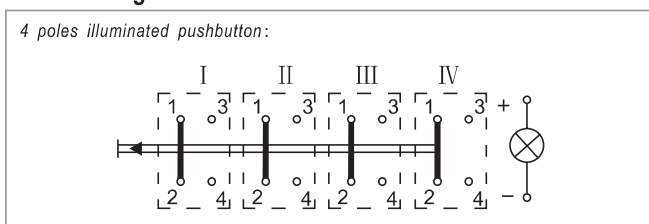
Lamp Ratings

LED Life	Current	Allowable Voltage Fluctuation Range	Circuit Diagram
≥ 40000 hours	$\leq 24\text{V}$ about 15mA $\geq 110\text{V}$ about 2mA	DC: $\pm 10\%$ AC: $\pm 20\%$	<p>Use internal resistor and no distinction between positive and negative poles; $\geq 110\text{V}$ need external resistor.</p>

Bottom Preview

LAS1 Ordinary Type	LAS1 Pin Terminal Type	Switch Structure

Circuit Diagram



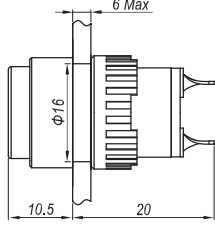


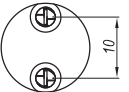
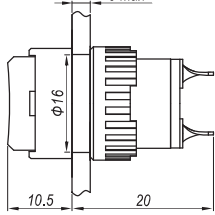



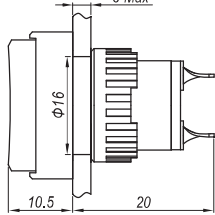


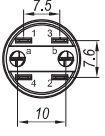
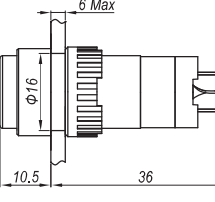
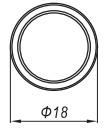

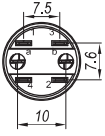
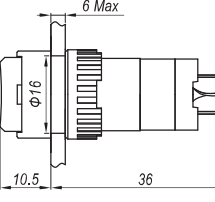
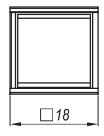

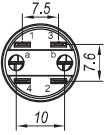
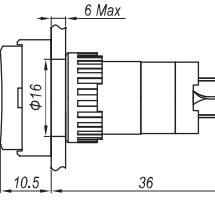
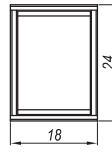


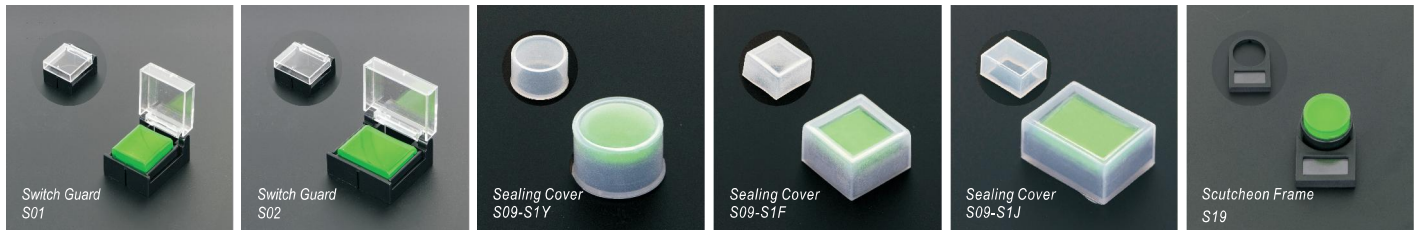
Specification

Operating Temperature	-25°C~+55°C (no freezing)	
Operating Humidity	Keep good ventilation round the switch. 45~85%RH (no condensation)	
Contact Resistance	$\leq 50\text{m}\Omega$	
Insulation Resistance	$> 100\text{M}\Omega$ (500VDC)	
Rated insulation Voltage	250V AC/DC	
Dielectric Strength	Between contact and LED terminals	2000V, AC 50Hz, 1min
	Between terminals of the same pole	1500V, AC 50Hz, 1min
	Between terminals of different poles	2000V, AC 50Hz, 1min
Vibration Resistance	50Hz, amplitude 1.2mm	
Mechanical Life	Momentary Pushbutton	1,000,000 times
	Latching Pushbutton, Selector Switch	500,000 times
	Key-lock Switch	200,000 times
Electrical Life	50,000 times	
Wiring	Diameter of wire:	$2 \times 0.8\text{mm}$ max
	Area of copper wire:	0.75mm^2
Solder Heat Resistance	320°C 3s	
Operating Force	About 2N (1NO1NC)	
Operating Travel	About 3mm	

Installation Dimension

Type	A	B
Round	$\geq 18\text{mm}$	$\geq 18\text{mm}$
Square	$\geq 18\text{mm}$	$\geq 18\text{mm}$
Rectangular	$\geq 18\text{mm}$	$\geq 24\text{mm}$
Mushroom	$\geq 24\text{mm}$	$\geq 24\text{mm}$
Big Square	$\geq 24\text{mm}$	$\geq 24\text{mm}$
Big Rectangular	$\geq 18\text{mm}$	$\geq 24\text{mm}$

Φ16mm Product Outline	Specification	Dimension		
 <p>Signal Light LAS1Y-D/△/▲</p>	<p>LED Color△ R G Y B W</p> <p>LED Voltage▲ 6V / 12V / 24V / 110V / 220V</p> <p>Protection Degree IP40</p> <p>Accessory Switch Guard S01 / Scutcheon Frame S19 / Sealing Cover S09-S1Y</p>			
 <p>Signal Light LAS1F-D/△/▲</p>	<p>LED Color△ R G Y B W</p> <p>LED Voltage▲ 6V / 12V / 24V / 110V / 220V</p> <p>Protection Degree IP40</p> <p>Accessory Switch Guard S01 / Sealing Cover S09-S1F</p>			
 <p>Signal Light LAS1J-D/△/▲</p>	<p>LED Color△ R G Y B W</p> <p>LED Voltage▲ 6V / 12V / 24V / 110V / 220V</p> <p>Protection Degree IP40</p> <p>Accessory Switch Guard S02 / Sealing Cover S09-S1J</p>			
 <p>Pushbutton (can be illuminated) LAS1Y-11■/JC/△/▲</p>	<p>Contact 1NO1NC</p> <p>Operation Type■ No letter means momentary / Z: Latching</p> <p>Color△ R G Y B W N</p> <p>LED Voltage▲ 6V / 12V / 24V / 220V</p> <p>Protection Degree IP40</p> <p>Accessory Switch Guard S01 / Scutcheon Frame S19 / Sealing Cover S09-S1Y / Solder Terminal S21 / PCB Terminal S22</p>			
 <p>Pushbutton (can be illuminated) LAS1F-11■/JC/△/▲</p>	<p>Contact 1NO1NC</p> <p>Operation Type■ No letter means momentary / Z: Latching</p> <p>Color△ R G Y B W N</p> <p>LED Voltage▲ 6V / 12V / 24V / 220V</p> <p>Protection Degree IP40</p> <p>Accessory Switch Guard S01 / Sealing Cover S09-S1F / Solder Terminal S21 / PCB Terminal S22</p>			
 <p>Pushbutton (can be illuminated) LAS1J-11■/JC/△/▲</p>	<p>Contact 1NO1NC</p> <p>Operation Type■ No letter means momentary / Z: Latching</p> <p>Color△ R G Y B W N</p> <p>LED Voltage▲ 6V / 12V / 24V / 220V</p> <p>Protection Degree IP40</p> <p>Accessory Switch Guard S02 / Sealing Cover S09-S1J / Solder Terminal S21 / PCB Terminal S22</p>			



Characteristic

LAS1-B series products have complete range, some products have three types of head shape: round, square and rectangular (see details from content page) and each pushbutton could use 1~3 pcs elements(except for pin terminal version), could meet customer's different requirements.

Specs Including pushbutton, signal light, emergency-stop switch, selector switch, key-lock switch, mushroom switch; mounting hole diameter is $\Phi 16\text{mm}$.

Performance Stable function, low contact resistance, strong insulation resistance and anti-vibration etc. Meet the standards of IEC60947-5-1, GB/T14048.5 etc.

Structure The switch element is "double-break fast-motion, self-cleaning". Each element contains 1NO+1NC contacts, each pushbutton could use 3 pcs elements at most.

Protective Degree IP40

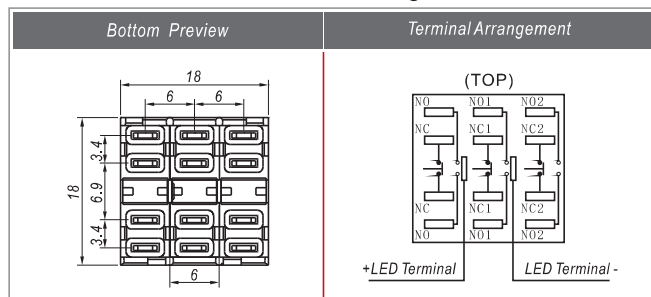


LAS1-B Switch Ratings

Rated Insulation Voltage Ui		250V				
Thermal Current Ith		5A Temperature rise can't over the Max. rating current				
Rated Voltage		12V	24V	110V	220V	
Rated Current	AC 50/60Hz	Resistive Load	—	5A	3A	
		Inductive Load	—	3A	2A	
	DC	Resistive Load	5A	5A	1A	0.5A
		Inductive Load	2A	2A	0.2A	0.1A
Contact Material		Silver Alloy				

Minimum load: 3VAC/DC 5mA (use range depend on operation environment and load type).

Bottom Preview and Terminal Arrangement



Installation Dimension


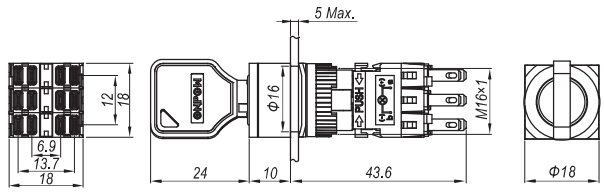

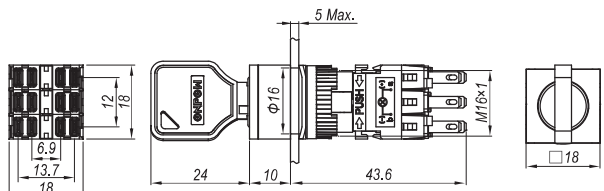
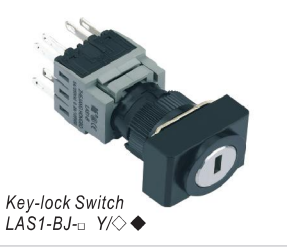
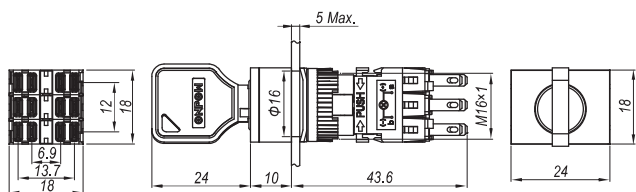
	Type	A	B
	Round	$\geq 18\text{mm}$	$\geq 18\text{mm}$
	Square	$\geq 18\text{mm}$	$\geq 18\text{mm}$
	Rectangular	$\geq 18\text{mm}$	$\geq 24\text{mm}$
	Mushroom	$\geq 24\text{mm}$	$\geq 24\text{mm}$
E-stop Switch	$\geq 32\text{mm}$	$\geq 32\text{mm}$	

Specification

Operating Temperature	-25°C~+55°C (no freezing)	
	Keep good ventilation round the switch.	
Operating Humidity	45~85%RH(no condensation)	
Contact Resistance	$\leq 50\text{m}\Omega$	
Insulation Resistance	$> 100\text{M}\Omega$ (500VDC)	
Rated insulation Voltage	250VAC/DC	
Dielectric Strength	Between contact and LED terminals	2000V, AC 50Hz, 1 min
	Between terminals of the same pole	1500VAC 50Hz, 1 min
	Between terminals of different poles	2000VAC 50Hz, 1 min
Vibration Resistance	50Hz \times amplitude 1.2mm	
Mechanical Life	Momentary Pushbutton	1,000,000 times
	Latching Pushbutton, Selector Switch	500,000 times
	Key-lock Switch	200,000 times
Electrical Life	50,000 times	
Wiring		Diameter of wire: 2 \times 0.8mm max
		Area of copper wire: 0.75mm ²
		Pin Terminal: 2.8j0.5mm
Solder Heat Resistance	320j 3s	
Operating Travel	About 3mm	
Operating Force		About 2.8N(1NO1NC) / About 3.5N(2NO2NC) /
		About 4.7N(3NO3NC)

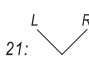
Lamp Ratings

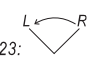
LED Life	Current	Allowable Voltage Fluctuation Range	Circuit Diagram
≥ 40000 hours	$\leq 24\text{V}$ about 15mA $\geq 110\text{V}$ about 2mA	DC: $\pm 10\%$ AC: $\pm 20\%$	<p>Use internal resistor and no distinction between positive and negative poles.</p>

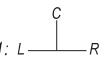
Φ16mm Product Cutline	Specification	Dimension		
 <p>Key-lock Switch LAS1-BY-□ Y/◇ ◆</p>	<p>Contact □ 1NO1NC / 2NO2NC / 3NO3NC Operation Type ◇ ◆ Refer to notes Protection Degree IP40</p>			
 <p>Key-lock Switch LAS1-BF-□ Y/◇ ◆</p>	<p>Contact □ 1NO1NC / 2NO2NC / 3NO3NC Operation Type ◇ ◆ Refer to notes Protection Degree IP40</p>			
 <p>Key-lock Switch LAS1-BJ-□ Y/◇ ◆</p>	<p>Contact □ 1NO1NC / 2NO2NC / 3NO3NC Operation Type ◇ ◆ Refer to notes Protection Degree IP40</p>			

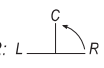
Notes

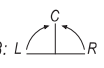
⦿ Operation Position

21: 

23: 

31: 







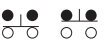


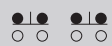











32: 

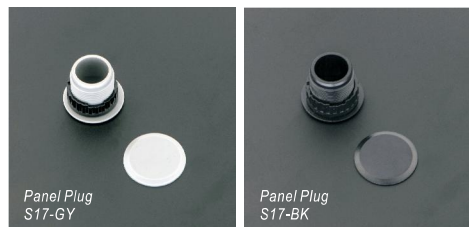
33: 

32 is return from right, could customize for return from left

⦿ Provide 2 keys, need rotate into position when using. The keys are removable at each position, also can be customized for maintained at specified position. All keys are same.

Contact State of Selector and Key-lock Switch

Switch Type Operation Position	90° 2 Position			90° 3 Position			
	1NO1NC	2NO2NC	3NO3NC	2NO2NC	2NO2NC	2NO2NC	3NO3NC
							
							
							



Characteristic

LAS1-A series products have complete range, wide market application, some products have three types of head shape: round, square and rectangular (see details from content page) the structure is used by multi-series products of our company's products, is well received by users. The P(W) type pushbutton and signal light use veneering installation, the front frame is only 2mm higher over panel, is fashionable and goodlooking.

Specs Including pushbutton, signal light, emergency-stop switch, key-lock switch, selector switch and mushroom switch; mounting hole diameter is $\Phi 16\text{mm}$, $\Phi 22\text{mm}$, $21 \times 21\text{mm}$ (square) and $21 \times 27\text{mm}$ (rectangular).

Performance Stable function, low contact resistance, strong insulation resistance and anti-vibration etc. Meet the standards of IEC60947-5-1, GB/T14048.5 etc.

Structure The switch element is "fast-motion". Each element contains 1NO+1NC contacts, each pushbutton could use 2 pcs elements at most.

Protective Degree The standard is IP40, some can be customized for IP65.



Switch Ratings

Rated Insulation Voltage Ui			250V			
Thermal Current Ith			5A Temperature rise can't over the Max. rating current			
Rated Voltage			12V	24V	110V	220V
Rated Current	AC 50/60Hz	Resistive Load	—	—	1A	0.5A
		Inductive Load	—	—	0.7A	0.5A
	DC	Resistive Load	1A	1A	0.2A	—
		Inductive Load	0.7A	0.7A	0.1A	—
Contact Material			Silver Alloy			

Minimum load: 3VAC/DC 5mA (use range depend on operation environment and load type)

Installation Dimension

	Type	A	B
	Round	$\geq 18\text{mm}$	$\geq 18\text{mm}$
	Square	$\geq 18\text{mm}$	$\geq 18\text{mm}$
	Rectangular	$\geq 18\text{mm}$	$\geq 24\text{mm}$
	Mushroom	$\geq 24\text{mm}$	$\geq 24\text{mm}$
	Big Square	$\geq 24\text{mm}$	$\geq 24\text{mm}$
	Big Rectangular	$\geq 18\text{mm}$	$\geq 24\text{mm}$

Bottom Preview and Terminal Arrangement

Bottom Preview	Terminal Arrangement

Specification

Operating Temperature	-25°C~+55°C (no freezing) Keep good ventilation round the switch.	
Operating Humidity	45~85%RH(no condensation)	
Contact Resistance	$\leq 50\text{m}\Omega$	
Insulation Resistance	$> 100\text{M}\Omega$ (500VDC)	
Rated insulation Voltage	250VAC/DC	
Dielectric Strength	Between contact and LED terminals	2000VAC, 50Hz, 1 min
	Between terminals of the same pole	1500VAC, 50Hz, 1 min
	Between terminals of different poles	2000VAC, 50Hz, 1 min
Vibration Resistance	50Hz, amplitude 1.2mm	
Mechanical Life	Momentary Pushbutton	1,000,000 times
	Latching Pushbutton, Selector Switch	500,000 times
	Key-lock Switch	200,000 times
Electrical Life	50,000 times	
Wiring	Diameter of wire:	$2 \times 0.8\text{mm}$ max
	Area of copper wire:	0.75mm^2
	Pin Terminal:	$2.8 \times 0.5\text{mm}$
Solder Heat Resistance	320°C 3s	
Operating Travel	About 3mm	
Operating Force	About 1.7N(1NO1NC) / About 3N(2NO2NC)	

Lamp Ratings

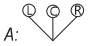
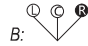



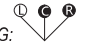
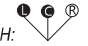
LED Life	Current	Allowable Voltage Fluctuation Range	Circuit Diagram
≥ 40000 hours	$\leq 24\text{V}$ about 15mA $\geq 110\text{V}$ about 2mA	DC: $\pm 10\%$ AC: $\pm 20\%$	<p>Use internal resistor and no distinction between positive and negative poles.</p>

LAS1-A Series Part Number Description

Button, signal lamp type description: LAS1-A ☆ ★ □ ■ ○ / △ / ▲ ※

Symbol	Symbol Name	Specify
☆	Sort Code	P: standard frame (Φ22mm) / W: silvery frame(Φ22mm) / no letter means ordinary type
★	Head Shape	Y: round / F: square / J: rectangular / DF: big square(only ordinary type) / DJ: big rectangular(only ordinary type)
□	Contact	11:1NO1NC / 22:2NO2NC / no letter means signal light
■	Operation Type	DS: short-body signal light / D:signal light / Z: latching pushbutton / no letter means momentary pushbutton
○	Illumination	T: power symbol / no letter means ordinary type Note: T type is special product, only for round silvery frame; other symbol can be customized
△	Color	R: red / G: green / Y: yellow / B: blue / W: white / N: black
▲	Voltage	6V / 12V / 24V / 220V / other voltage can be customized(AC/DC LED, internal resistor)
※	Protection Degree	No letter means IP40 / P:IP65

Type specification of knob and key knob: LAS1-A ☆ ★ □ ■ / ◇ ◆ ● / △ / ▲ ※

Symbol	Symbol Name	Specify
☆	Sort Code	P: standard frame (Φ22mm) / W: silvery frame(Φ22mm) / no letter means ordinary type
★	Head Shape	Y: round / F: square / J: rectangular
□	Contact	11:1NO1NC / 22:2NO2NC
■	Operation Type	X: selector switch / Y: key-lock switch
◇	Operation Position	2: two position / 3: three position
◆	Action Type	1:maintain / 3:return
●	Unmovable Position of Key	A:  B:  C:  D:  E:  G:  H: 
△	Color	R:red / G:green / Y:yellow / B:blue / W:white / N:black
▲	Voltage	6V / 12V / 24V / 220V / other voltage can be customized(AC/DC LED, internal resistor)
※	Protection Degree	No letter means IP40 / P: IP65

Type specification of emergency stop button: LAS1-A ☆ Y □ ■ / ※

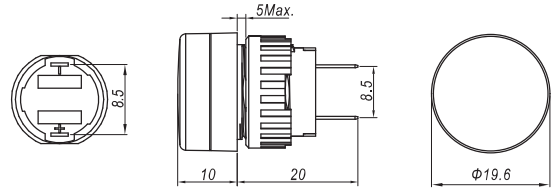
Symbol	Symbol Name	Specify
☆	Sort Code	P: standard frame (Φ22mm) / no letter means ordinary type
□	Contact	11:1NO1NC / 22:2NO2NC
■	Operation Type	TS:emergency-stop switch / TSB:type B emergency-stop switch
※	Protection Degree	No letter means IP40 / P:IP65

Note: Pls read product specification, then choose corresponding code from above tables according to different symbols.

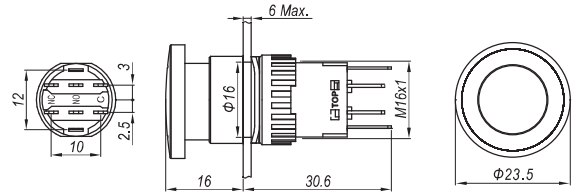
Φ16mm Product Cutline Specification Dimension



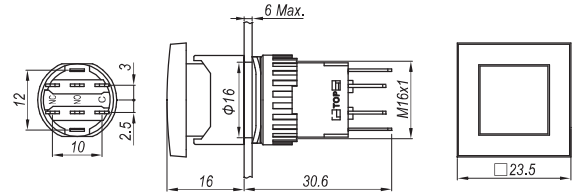
LED Color△ **R G Y B W**
 LED Voltage▲ 6V / 12V / 24V / 110V / 220V
 Protection Degree※ No letter means IP40 / P:IP65
 Accessory Switch Guard S01 / Scutcheon Frame S19 / Sealing Cover S09-S1Y



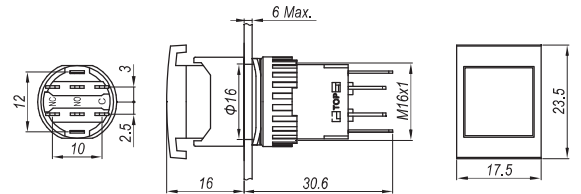
Contact□ 11: 1NO1NC / 22: 2NO2NC
 Operation Type No letter means momentary / Z: Latching
 Color△ **R G**
 LED Voltage▲ 6V / 12V / 24V / 110V / 220V
 Protection Degree※ No letter means IP40 / P:IP65
 Accessory Solder Terminal S04 / PCB Terminal S05 / Switch Guard T34-16



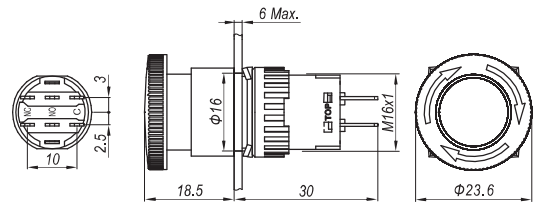
Contact□ 11: 1NO1NC / 22: 2NO2NC
 Operation Type No letter means momentary / Z: Latching
 Color△ **R G Y**
 LED Voltage▲ 6V / 12V / 24V / 110V / 220V
 Protection Degree※ No letter means IP40 / P:IP65
 Accessory Solder Terminal S04 / PCB Terminal S05



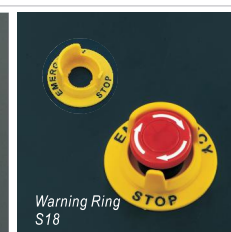
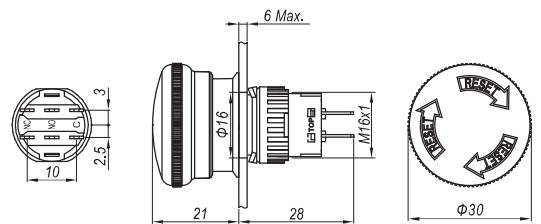
Contact□ 11: 1NO1NC / 22: 2NO2NC
 Operation Type No letter means momentary / Z: Latching
 Color△ **R G Y**
 LED Voltage▲ 6V / 12V / 24V / 110V / 220V
 Protection Degree※ No letter means IP40 / P:IP65
 Accessory Solder Terminal S04 / PCB Terminal S05


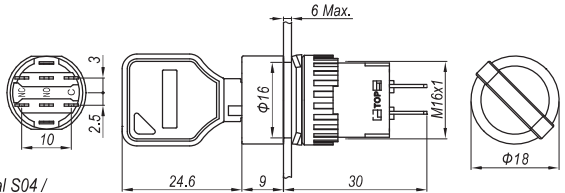

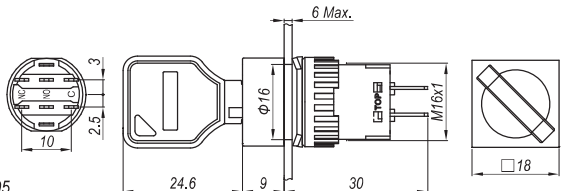

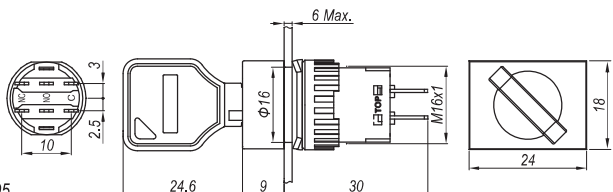


Contact□ 11: 1NO1NC / 22: 2NO2NC
 Protection Degree※ No letter means IP40 / P:IP65
 Accessory Solder Terminal S04 / PCB Terminal S05 / Warning Ring S18



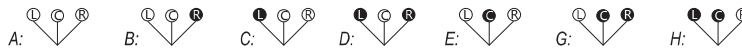
Contact□ 11: 1NO1NC / 22: 2NO2NC
 Protection Degree※ No letter means IP40 / P:IP65
 Accessory Solder Terminal S04 / PCB Terminal S05 / Switch Guard T34-16



Φ16mm Product Cutline	Specification	Dimension
 Key-lock Switch LAS1-AY-□ Y/◇◆●/※	Contact□ 11: 1NO1NC / 22: 2NO2NC Operation Position◇◆ Unmovable Position of Key● Refer to Notes Protection Degree※ No letter means IP40 / P:IP65(only for maintain type) Accessory Scutcheon Frame S19 / Solder Terminal S04 / PCB Terminal S05	
 Key-lock Switch LAS1-AF-□ Y/◇◆●/※	Contact□ 11: 1NO1NC / 22: 2NO2NC Operation Position◇◆ Unmovable Position of Key● Refer to Notes Protection Degree※ No letter means IP40 / P:IP65(only for maintain type) Accessory Solder Terminal S04 / PCB Terminal S05	
 Key-lock Switch LAS1-AJ-□ Y/◇◆●/※	Contact□ 11: 1NO1NC / 22: 2NO2NC Operation Position◇◆ Unmovable Position of Key● Refer to Notes Protection Degree※ No letter means IP40 / P:IP65(only for maintain type) Accessory Solder Terminal S04 / PCB Terminal S05	

Notes

- : Unmovable Position of Key
No letter means type A
- : Provide 2 keys, need rotate into position when using.



Contact State of Selector and Key-lock Switch	Switch Type	90° 2 Position		45° 3 Position	
		1NO1NC	2NO2NC	2NO2NC	
↻		NO, NC, CT	left contact, right contact	left contact, right contact	left contact, right contact
↑				left contact, right contact	left contact, right contact
↻		NO, NC, CT	left contact, right contact	left contact, right contact	left contact, right contact



Φ16mm Product Outline	Specification	Dimension
 <p>Buzzer LAS1-AY-■/▲</p>	<p>Sound Type ■ B: Continuous Buzzer Voltage ▲ 6VDC / 12VDC / 24VDC / 220VAC</p>	
 <p>Buzzer LAS1-AF-■/▲</p>	<p>Sound Type ■ B: Continuous Buzzer Voltage ▲ 6VDC / 12VDC / 24VDC / 220VAC</p>	
 <p>Buzzer LAS1-AJ-■/▲</p>	<p>Sound Type ■ B: Continuous Buzzer Voltage ▲ 6VDC / 12VDC / 24VDC / 220VAC</p>	

Specification

Operating Temperature	-25℃~+55℃(no freezing), Keep good ventilation round the switch.
Operating Humidity	45~85%RH(no condensation)
Dielectric insulation	1000V
Sound Period	Continuous
Sound Intensity	75dB(1m)(rated voltage)
Sound Frequency	2300±300Hz
Operating Voltage	6VDC;12VDC;24VDC;220VAC



Characteristic

LAS1-A series P(W) type products have complete range, wide market application, some products have three types of head shape: round, square and rectangular (see details from content page). The pushbutton and signal light use veneering installation, the front frame is only 2mm higher over panel, is fashionable and goodlooking.

Specs Including pushbutton, signal light, emergency-stop switch, key-lock switch, selector switch and mushroom switch; mounting hole diameter is $\Phi 16\text{mm}$, $\Phi 22\text{mm}$, $21 \times 21\text{mm}$ (square) and $21 \times 27\text{mm}$ (rectangular).

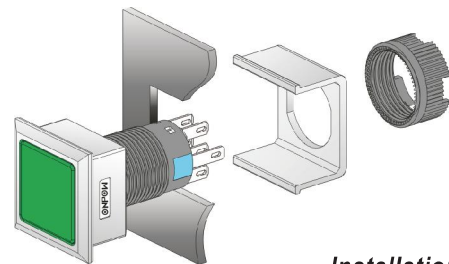
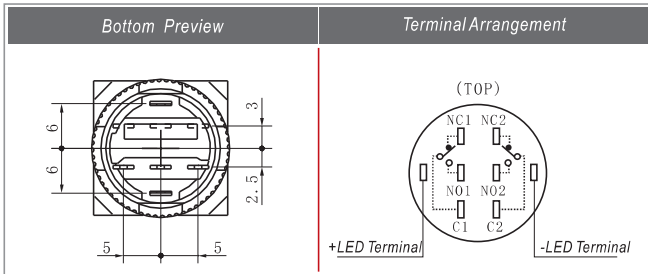
Performance Stable function, low contact resistance, strong insulation resistance and anti-vibration etc. Meet the standards of IEC60947-5-1, GB/T14048.5 etc.

Structure The switch element is "fast-motion". Each element contains 1NO+1NC contacts, each pushbutton could use 2 pcs elements at most.

Protective The standard is IP40, some can be customized for IP65.



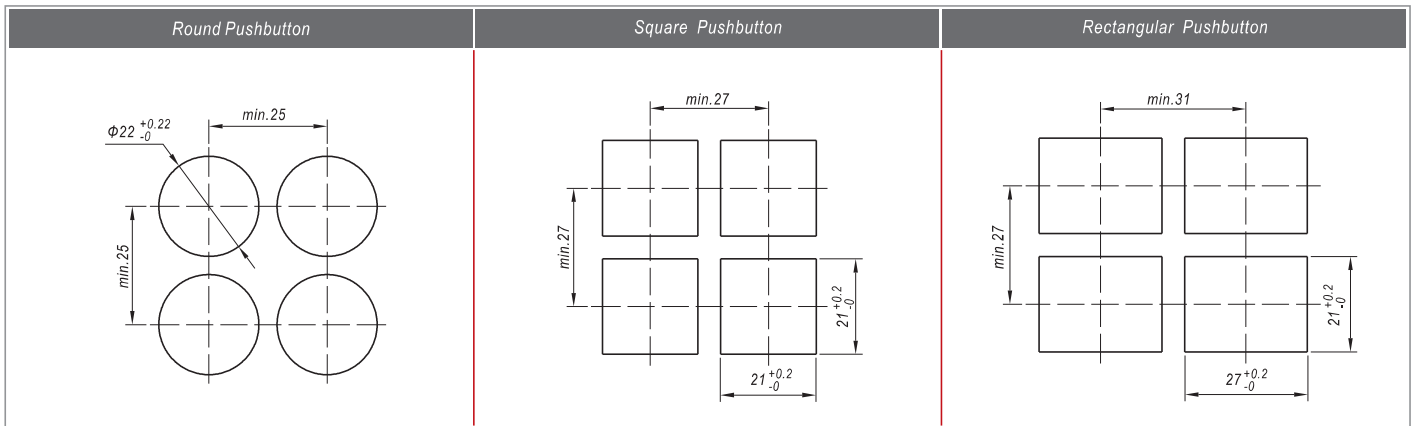
Bottom Preview and Terminal Arrangement



Installation Diagram

Ultrathin, could be customized for symbol, illuminated pushbutton
Thickness over the panel is only 2mm

Installation Dimension



Product Outline **Specification** **Dimension**



Contact□ 11: 1NO1NC / 22: 2NO2NC

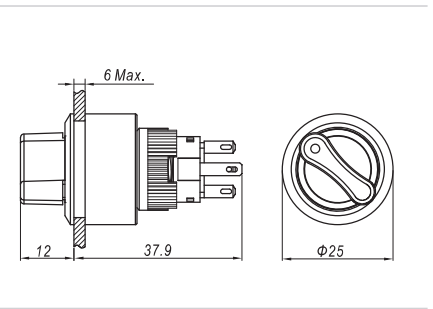
Operation Type◇◆

Color△ R G Y B W N

LED Voltage▲ 6V / 12V / 24V / 110V / 220V

Protection Degree※ No letter means IP40 / P:IP65(only for maintain type)

Accessory Scutcheon Frame T04 / Solder Terminal S04 / PCB Terminal S05



Contact□ 11: 1NO1NC / 22: 2NO2NC

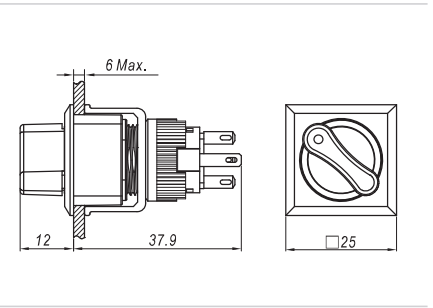
Operation Type◇◆

Color△ R G Y B W N

LED Voltage▲ 6V / 12V / 24V / 110V / 220V

Protection Degree※ No letter means IP40 / P:IP65(only for maintain type)

Accessory Solder Terminal S04 / PCB Terminal S05



Contact□ 11: 1NO1NC / 22: 2NO2NC

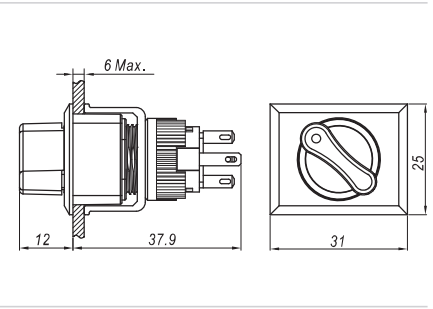
Operation Type◇◆

Color△ R G Y B W N

LED Voltage▲ 6V / 12V / 24V / 110V / 220V

Protection Degree※ No letter means IP40 / P:IP65(only for maintain type)

Accessory Solder Terminal S04 / PCB Terminal S05



Switch Type	90° 2 Position		45° 3 Position	
	1NO1NC	2NO2NC	2NO2NC	
Operation Position				
↻	NO, NC	left contact NO, right contact NC	left contact NO, right contact NC	left contact NO, right contact NC
↑			left contact NO, right contact NC	left contact NO, right contact NC
↻	NO, NC	left contact NO, right contact NC	left contact NO, right contact NC	left contact NO, right contact NC



Black Frame Product (can refer to LAS1-AW silvery frame product to choose part number)

Part Number	LAS1-APY-□ ■/△/▲/※	LAS1-APF-□ ■/△/▲/※	LAS1-APJ-□ ■/△/▲/※
Shape			
Part Number	LAS1-APY-□ XB/◇◆/△/▲/※	LAS1-APF-□ XB/◇◆/△/▲/※	LAS1-APJ-□ XB/◇◆/△/▲/※
Shape			
Part Number	LAS1-AWY-□ Y/◇◆●/※	LAS1-AWF-□ Y/◇◆●/※	LAS1-AWJ-□ Y/◇◆●/※
Shape			

LAS1-A22 Short-body Emergency Stop Switch

Shape	Contact	Part Number	Dimension and Explanation
<p>Round</p>	1NC	LAS1-A22Y-01TSB LAS1-A22Y-01TSB/R/▲	<p>Terminal Arrangement</p> <p>⊙ Protection Degree:IP65 ⊙ Can be illuminated, LED Color: red ⊙ LED Voltage(▲):6V/12V/24V/110V/220V</p>
	2NC	LAS1-A22Y-02TSB LAS1-A22Y-02TSB/R/▲	
	1NO1NC	LAS1-A22Y-11TSB LAS1-A22Y-11TSB/R/▲	
<p>Round</p>	1NC	LAS1-A22Y-01TSB/L LAS1-A22Y-01TSB/L/R/▲	<p>Wire Length: 30mm</p> <p>⊙ Protection Degree:IP65 ⊙ Can be illuminated, LED Color: red ⊙ LED Voltage(▲):6V/12V/24V/110V/220V</p>
	2NC	LAS1-A22Y-02TSB/L LAS1-A22Y-02TSB/L/R/▲	
	1NO1NC	LAS1-A22Y-11TSB/L LAS1-A22Y-11TSB/L/R/▲	

Product Overview

LAS0 series is divided into A3, B3, Q, K, L, K30 six products, representing six product structure (refer to the specific product structure illustration), the series of button head modeling variety, the structure is cleverly designed, and the operating part of the link with the center base uses a large span of multi-point card, high Wall inline fixed installation, anti-drop, anti-vibration, can meet the user a variety of use scenarios. It can meet a variety of user scenarios. The K30 type button is ultra-thin head (the head of the button to the panel <3mm), beautiful appearance, comfortable operation, and installation holes. Beautiful and comfortable to operate, the installation aperture is $\Phi 30\text{mm}$.

Specs Products include push button, signal indicator, emergency stop knob, knob, key knob, key emergency stop knob, mushroom knob, double-position knob, cross switch; mounting holes cover $\Phi 22\text{mm}$, $\Phi 25\text{mm}$ (use fixed nut reducer), $\Phi 30\text{mm}$ (K30 type only).

Performance High quality engineering flame retardant materials are used, and the switch components are separated independently in the structure. Good insulation performance; products comply with IEC60947-5-1, GB/T14048.5 and other standards.

Structure There are two types of switch elements: "fast-acting" and "slow-acting" with "self-cleaning" function. The switch blocks can be assembled in a modular manner, with two switch elements installed in each block. Up to 8 switch elements can be combined to meet the requirements of various specific control circuits.

Protective Degree Conventional configuration IP40, some products can be customized IP65/IP67.



Switch Ratings

Rated Insulation Voltage(Ui)			500V					
Terminal Current (Ith)			10A Temperature rise does not exceed the current allowed by the maximum rating					
Rated Voltage			24V	48V	110V	220V	380V	500V
Rated Current	AC 50/60HZ	AC-12 resistive load and Semiconductor load control	10A	—	10A	6A	—	—
		AC-15 electronic load control (>72VA)	10A	—	6A	3A	1.8A	1.4A
	DC	DC-12 resistive load and Semiconductor load control	8A	4A	2.2A	1.1A	—	—
		DC-13 electronic load control	4A	2A	1.1A	0.6A	—	—
Contact material			Silver alloy					

Minimum load : 3V AC/DC, 5mA (Application scope depends on operating environment and load type)

Performance Characteristics

Operating temperature	-25 ~ + 55°C (no freezing) keep the air flowing around illuminated push button
Operation Humidity	45~85%RH (no condensation)
Contact Resistor	$\leq 50\text{m}\Omega$
Insulation Resistor	$\geq 100\text{M}\Omega$ (500VDC)
Maximum withstand voltage	3000V, AC 50Hz, 1min
Vibration Resistance	50Hz, Amplitude 1.0mm
Mechanical Life	Momentary knob ≥ 1 million times,
	Latching knob, selection knob $\geq 500,000$ times , key knob, emergency stop button $\geq 200,000$ times.
Electrical Life	More than 50,000 times (cross switch $\geq 10,000$ times or more)
Connection	Threaded connection, wire diameter: 2 x 1.5 mm ² max
	Pin terminal: 6.3x0.8mm
Operating force	1NO1NC: approx. 10N, 2NO2NC: approx. 17N (button)
	1NO1NC: approx. 14N, 2NO2NC: approx. 21N (waterproof button)
Operation Travel	A, B, Q type: about 5.0mm(pushbutton)
	K L K30 type: about 3.8mm(pushbutton)

Installation Dimensions and circuit diagram

Installation Dimensions

circuit diagram

The switch code is 11.
1, 2 are normal closed;
3, 4 are normal opened;

Type	A	B	C	Remark
Normal	$\Phi 22.5$	≥ 50	≥ 35	1、 Unit: mm 2、 B and C both refer to the minimum size
Selector, Key-lock	or $\Phi 25.5$	≥ 50	≥ 35	
Mushroom	or $\Phi 25.5$	≥ 50	≥ 42	
Big Mushroom	$\Phi 30.5$	≥ 70	≥ 70	

Lamp Ratings

Lamp type	2-way Illuminated LEDs				Equivalent circuit	AC/DC: (resistor step-down)	
Rated Voltage	AC/DC 6V	AC/DC 12V	AC/DC110V	AC/DC220V		AC: (capacitor step-down)	
	AC/DC 24V		AC 110V	AC 220V			
Rated Current	≤20mA					Suitable Frequency: 50 ~ 60 Hz	
Lamp Life	40,000 小时						
Cover Color	R G Y B W						

Note: 1. The lamp contains current-limiting resistor inside and doesn't need connect outside.
 2. The standard is using AC/DC LED lamp, DC LED lamp, dual-color LED lamp and other voltages can be customized.

The Contact Pair's Close-open State Chart of the Selector Switches and Key-lock Switches.

a、The Contact Pair's Close-open State Chart of 2-position Selector Switch.

	Type		
1	LAS0-11■/2◆		
2	LAS0-02■/2◆		
3	LAS0-20■/2◆		
4	LAS0-22■/2◆		
5	LAS0-13■/2◆		
6	LAS0-31■/2◆		
7	LAS0-04■/2◆		
8	LAS0-40■/2◆		
9	LAS0-42■/2◆		
10	LAS0-24■/2◆		
11	LAS0-06■/2◆		
12	LAS0-60■/2◆		
13	LAS0-33■/2◆		
14	LAS0-15■/2◆		
15	LAS0-51■/2◆		

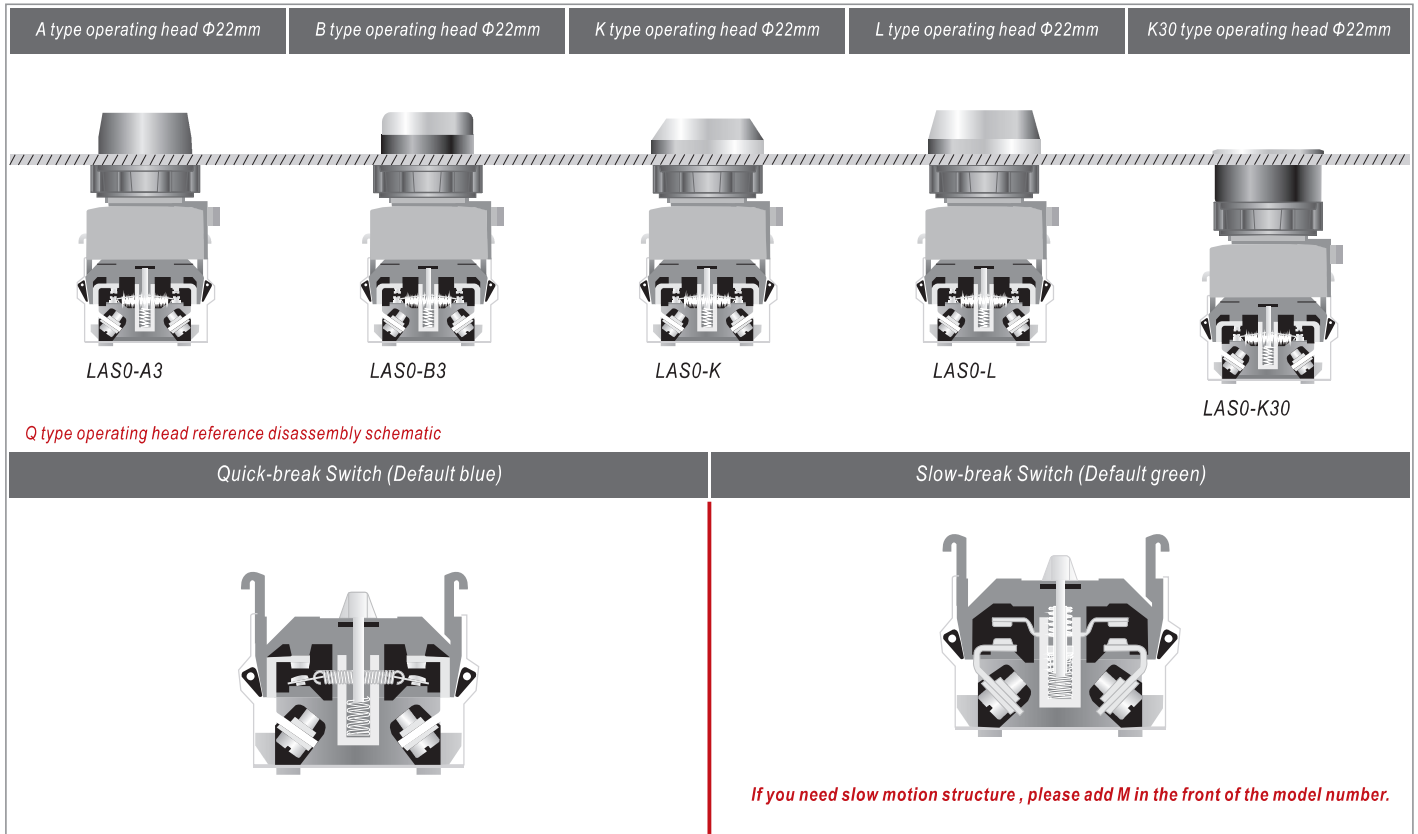
B、The Contact Pair's Close-open State Chart of 3-position Selector Switch.

	Type			
1	LAS0-11■/3◆			
2	LAS0-02■/3◆			
3	LAS0-20■/3◆			
4	LAS0-22■/3◆			
5	LAS0-13■/3◆			
6	LAS0-31■/3◆			
7	LAS0-04■/3◆			
8	LAS0-40■/3◆			
9	LAS0-42■/3◆			
10	LAS0-24■/3◆			
11	LAS0-06■/3◆			
12	LAS0-60■/3◆			
13	LAS0-33■/3◆			
14	LAS0-15■/3◆			
15	LAS0-51■/3◆			

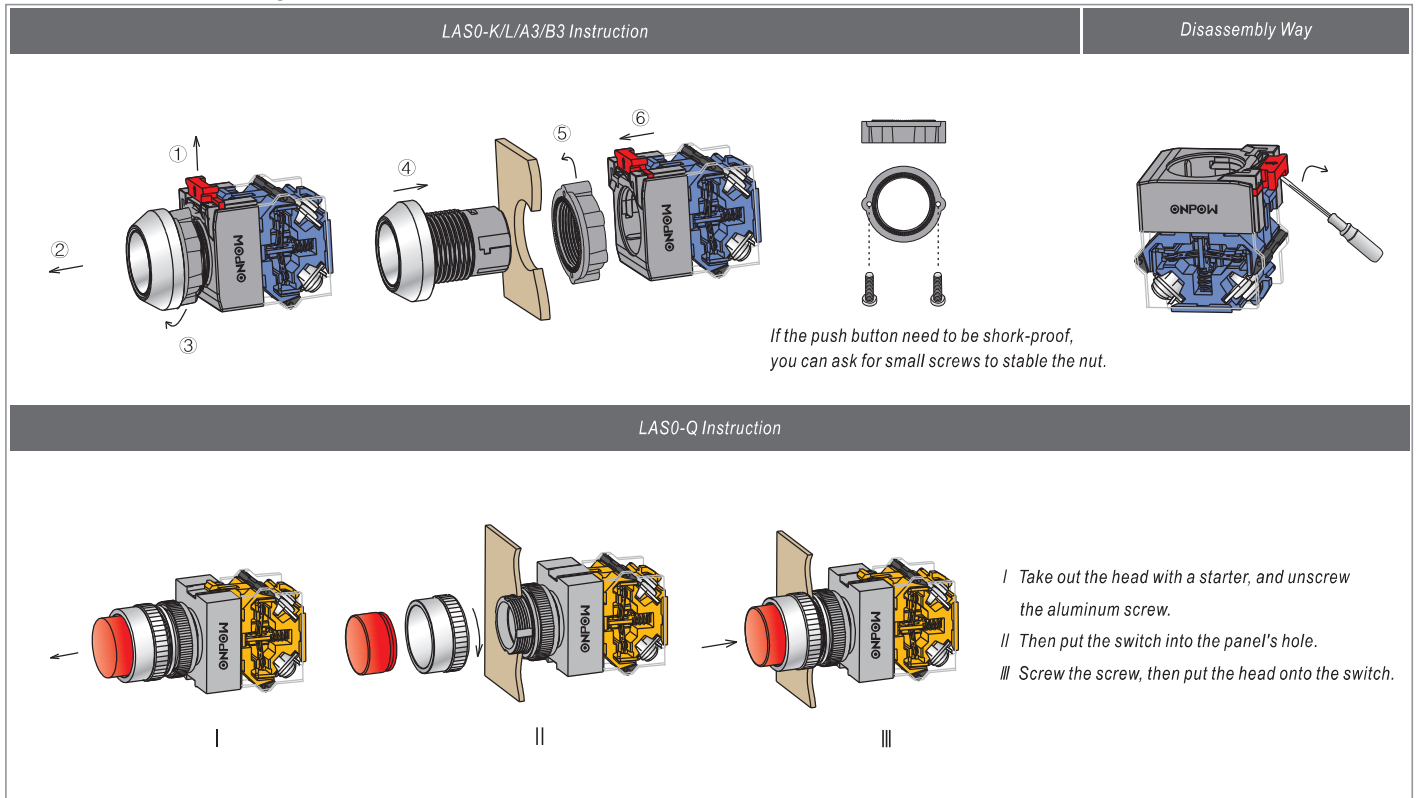
Note: 1、 express open state, express close state.

2、If you need other contact state, please tell us.

Structure Charts



Product Installation Diagram



LAS0 Series model description

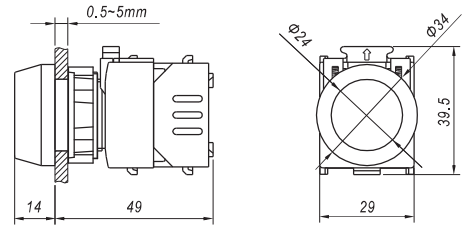
LAS0-☆-□■/ ◆/ △/ ▲/ ※

Symbol	Symbol name	Specify																																
☆	Code of series	L: L-type head (aluminum color) / LA: L-type head (aluminum black) / K: K-type head (aluminum color) / KA: K-type head (aluminum black) / KE: K-type head (economy type) / K30: 30 K-type / A3: A3-type head / B3: B3-type head / Q: Q-type head																																
□	Contact structure	one group of switching elements 11(1NO1NC) / 10(1NO) / 01(1NC) / 20(2NO) / 02(2NC)																																
		two groups of switching elements 22(2NO2NC) / 40(4NO) / 04(4NC) / 31(3NO1NC) / 13(1NO3NC) 30(3NO) / 03(3NC) / 21(2NO1NC) / 12(1NO2NC)																																
		Three groups of switching elements configuration and so on, can choose the combination according to the need																																
■	Operation type	<p>No letter means Momentary, Such as the number of contacts before EA or EB in the model description, it means that the product is a momentary button with light.</p> <table border="0"> <tr> <td>Z alternate normal type</td> <td>Q momentary metal domed type</td> <td>TSA A type emergency stop knob</td> <td>YA A type key knob</td> </tr> <tr> <td>D pilot lamp</td> <td>ZP alternated metal flat type</td> <td>TSB B type emergency stop</td> <td>YTS Key emergency stop</td> </tr> <tr> <td>EA transparent ring pilot lamp</td> <td>ZQ alternate metal domed type</td> <td>TSC C type emergency stop</td> <td>S double-position pushbutton</td> </tr> <tr> <td>EB colored ring pilot lamp</td> <td>MA A type momentary mushroom</td> <td>X selector switch</td> <td>C21 double-position rocker switch</td> </tr> <tr> <td>ZEA alternate transparent ring illuminated</td> <td></td> <td>MB B type momentary mushroom</td> <td>XAA type lever switch</td> </tr> <tr> <td>C23 double-position momentary rocker switch</td> <td></td> <td>ZEB alternate colored ring illuminated</td> <td>ZMAA type alternate mushroom</td> </tr> <tr> <td>XB B type lever switch</td> <td></td> <td>C41 four-position rocker switch</td> <td>P momentary metal flat type</td> </tr> <tr> <td>ZMB B type alternate mushroom</td> <td></td> <td>XC C type lever switch</td> <td>C43 four-position momentary rocker switch</td> </tr> </table>	Z alternate normal type	Q momentary metal domed type	TSA A type emergency stop knob	YA A type key knob	D pilot lamp	ZP alternated metal flat type	TSB B type emergency stop	YTS Key emergency stop	EA transparent ring pilot lamp	ZQ alternate metal domed type	TSC C type emergency stop	S double-position pushbutton	EB colored ring pilot lamp	MA A type momentary mushroom	X selector switch	C21 double-position rocker switch	ZEA alternate transparent ring illuminated		MB B type momentary mushroom	XAA type lever switch	C23 double-position momentary rocker switch		ZEB alternate colored ring illuminated	ZMAA type alternate mushroom	XB B type lever switch		C41 four-position rocker switch	P momentary metal flat type	ZMB B type alternate mushroom		XC C type lever switch	C43 four-position momentary rocker switch
Z alternate normal type	Q momentary metal domed type	TSA A type emergency stop knob	YA A type key knob																															
D pilot lamp	ZP alternated metal flat type	TSB B type emergency stop	YTS Key emergency stop																															
EA transparent ring pilot lamp	ZQ alternate metal domed type	TSC C type emergency stop	S double-position pushbutton																															
EB colored ring pilot lamp	MA A type momentary mushroom	X selector switch	C21 double-position rocker switch																															
ZEA alternate transparent ring illuminated		MB B type momentary mushroom	XAA type lever switch																															
C23 double-position momentary rocker switch		ZEB alternate colored ring illuminated	ZMAA type alternate mushroom																															
XB B type lever switch		C41 four-position rocker switch	P momentary metal flat type																															
ZMB B type alternate mushroom		XC C type lever switch	C43 four-position momentary rocker switch																															
◇	Selector button and key button operation position	2: Two position / 3: Three position																																
◆	Selector Knob and Key Knob operation Type	1: maintain / 2: half return / 3: self return																																
●	Unmovable Position of Key																																	
△	Lamp color	R: Red / G: Green / Y: Yellow / B: Blue / W: White / N: Black																																
▲	Lamp voltage	6V / 12V / 24V / 110V / 220V / No letter means no light																																
※	IP Degree	P: IP65 / No letter means IP40																																

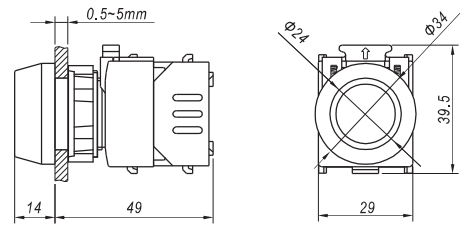
Product Picture	Description	Dimension
-----------------	-------------	-----------



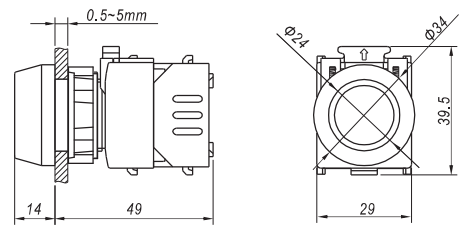
LED color △ **R G Y B W**
 LED voltage ▲ 6V / 12V / 24V / 110V / 220V / 380V
 IP degree ※ P:IP65 / No letter means IP40
 Accessory Protective cover T16



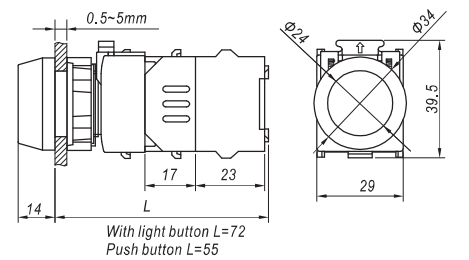
LED color △ **R G Y B W**
 LED voltage ▲ 6V / 12V / 24V / 110V / 220V / 380V
 IP degree ※ P:IP65 / No letter means IP40
 Accessory Protective cover T16



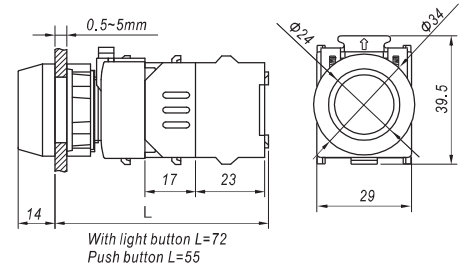
LED color △ **R G Y B W**
 LED voltage ▲ 6V / 12V / 24V / 110V / 220V / 380V
 IP degree ※ P:IP65 / No letter means IP40
 Accessory Protective cover T16


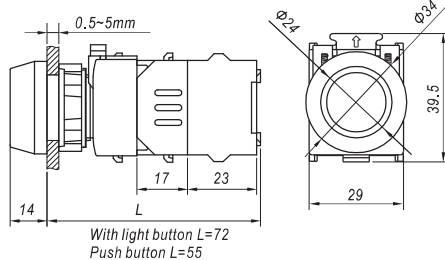

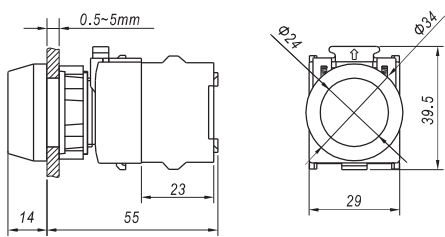
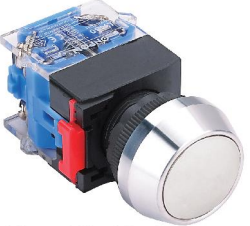
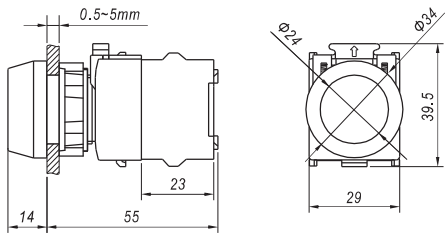

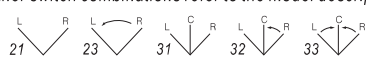
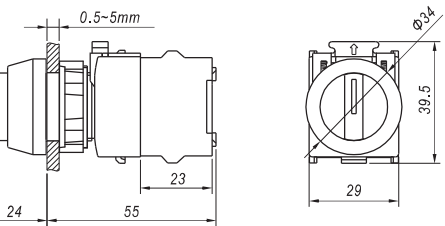
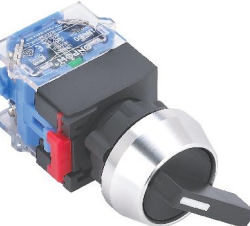
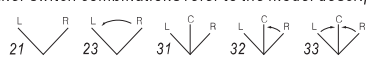
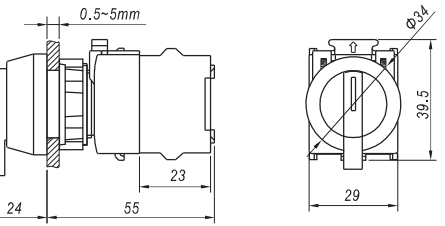


Contact □ 11: 1NO1NC / 10: 1NO / 01: 1NC
 Other switch combinations refer to the model description
 Operation ■ Z: Latching / No letter: Momentary
 LED color △ **R G Y B W**
 LED voltage ▲ 6V / 12V / 24V / 110V / 220V
 IP degree ※ P:IP65 / No letter means IP40
 Accessory Protective cap T16 / T35 protective cover



Contact □ 11: 1NO1NC / 10: 1NO / 01: 1NC
 Other switch combinations refer to the model description
 Operation ■ Z: Latching / No letter: Momentary
 LED color △ **R G Y B W**
 LED voltage ▲ 6V / 12V / 24V / 110V / 220V
 IP degree ※ P:IP65 / No letter means IP40
 Accessory Protective cap T16 / T35 protective cover



Product Picture	Description	Dimension
 <p>Ring Push button (can be illuminated) LAS0-L-□■EB/△/▲/※</p>	<p>Contact □ 11: 1NO1NC / 10: 1NO / 01: 1NC Other switch combinations refer to the model description</p> <p>Operation ■ Z: Latching / No letter: Momentary</p> <p>LED color △ R G Y B W</p> <p>LED voltage ▲ 6V / 12V / 24V / 110V / 220V</p> <p>IP degree ※ P: IP65 / No letter means IP40</p> <p>Accessory Protective cap T16 / T35 protective cover</p>	 <p>0.5-5mm 14 17 23 L With light button L=72 Push button L=55 Φ24 39.5 29</p>
 <p>Metal Flat Head Push button LAS0-L-□■P/※</p>	<p>Contact □ 11: 1NO1NC / 10: 1NO / 01: 1NC Other switch combinations refer to the model description</p> <p>Operation ■ Z: Latching / No letter: Momentary</p> <p>IP degree ※ P: IP65 / No letter means IP40</p> <p>Accessory Protective cap T16 / T35 protective cover</p>	 <p>0.5-5mm 14 23 55 Φ24 39.5 29</p>
 <p>Metal Domed Head Push button LAS0-L-□■Q/※</p>	<p>Contact □ 11: 1NO1NC / 10: 1NO / 01: 1NC Other switch combinations refer to the model description</p> <p>Operation ■ Z: Latching / No letter: Momentary</p> <p>IP degree ※ P: IP65 / No letter means IP40</p> <p>Accessory Protective cap T16 / T35 protective cover</p>	 <p>0.5-5mm 14 23 55 Φ24 39.5 29</p>
 <p>Selector Switch LAS0-L-□X/◇◆/※</p>	<p>Contact □ 11: 1NO1NC / 20: 2NO / 02: 2NC Other switch combinations refer to the model description</p> <p>Operation ◇◆</p>  <p>(32 Default right momentary, left momentary can be customized) Contact, pls refer to "contact on/off chart"</p> <p>IP degree ※ P: IP65 / No letter means IP40</p> <p>Accessory T35 protective cover</p>	 <p>0.5-5mm 24 23 55 Φ24 39.5 29</p>
 <p>B Type Lever Switch LAS0-L-□XB/◇◆/※</p>	<p>Contact □ 11: 1NO1NC / 20: 2NO / 02: 2NC Other switch combinations refer to the model description</p> <p>Operation ◇◆</p>  <p>(32 Default right momentary, left momentary can be customized) Contact, pls refer to "contact on/off chart"</p> <p>IP degree ※ P: IP65 / No letter means IP40</p> <p>Accessory T35 protective cover</p>	 <p>0.5-5mm 24 23 55 Φ24 39.5 29</p>



Product Picture	Description	Dimension
<p>Key-lock Switch LAS0-L-□YA/◇◆●/※</p>	<p>Contact □ 11: 1NO1NC / 20: 2NO / 02: 2NC Other switch combinations refer to the model description</p> <p>Operation ◇◆</p> <p>(32 Default right momentary, left momentary can be customized) Contact, pls refer to "contact on/off chart"</p> <p>IP degree IP40, Maintain type can be customized to IP65</p> <p>Accessory T35 protective cover</p>	


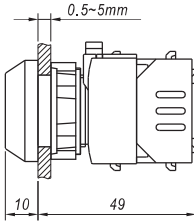
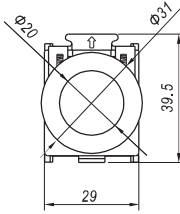

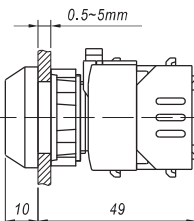
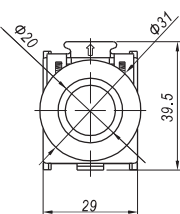

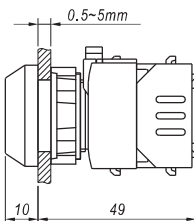
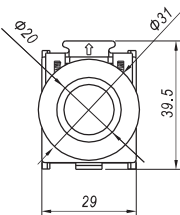

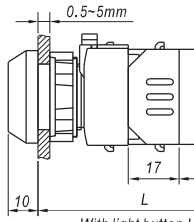
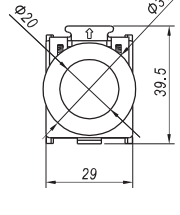

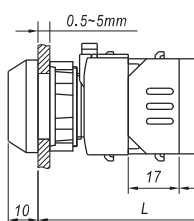
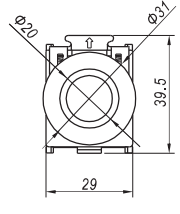
<p>Rocker Switch 2 Position</p>	Two position rocker operation 2NO	LAS0-K-20C21	
	Two position rocker operation 4NO	LAS0-K-40C21	
	Two position return rocker operation 2NO	LAS0-K-20C23	
	Two position return rocker operation 4NO	LAS0-K-40C23	

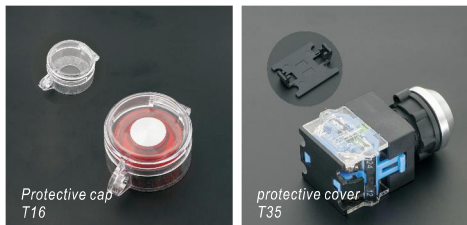
<p>Rocker Switch 4 Position</p>	Four position rocker operation 4NO	LAS0-K-40C41	
	Four position return rocker operation 4NO	LAS0-K-40C43	


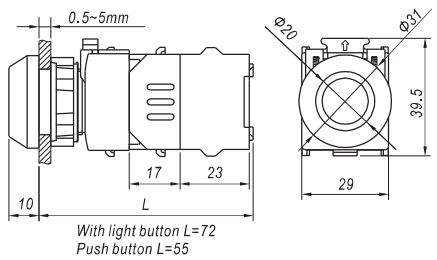

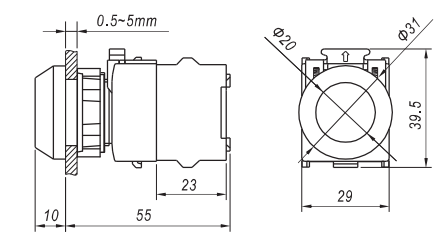

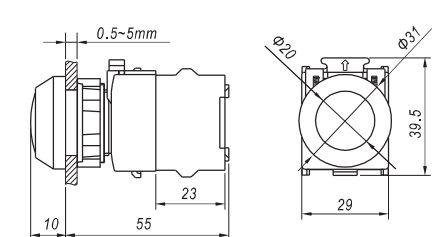

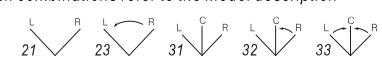
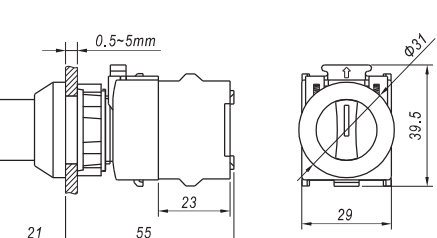

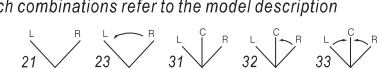
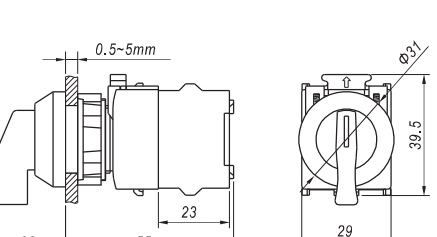
Note

- The Rocker Switch is normally open contacts, and the switch corresponding to the number is closed when the corresponding position is triggered.
- IP degree: IP67
- Accessories: T18-2 indicator ring (two positions) / T18-4 indicator ring (four positions)



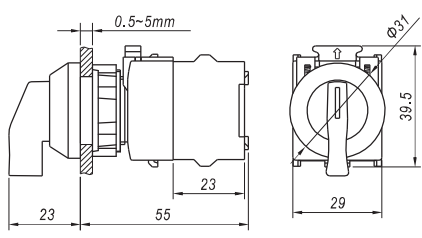

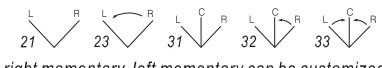
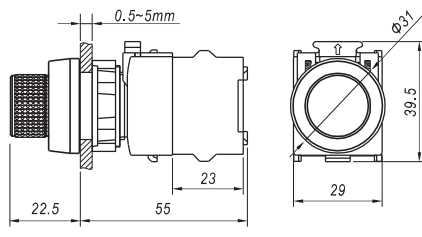


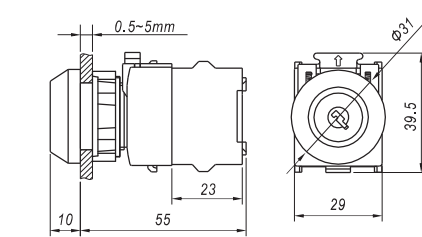

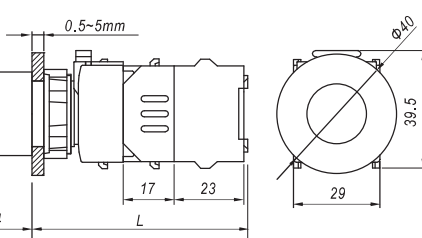

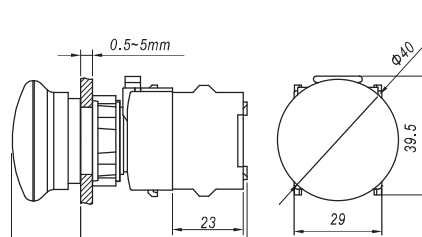


Product Picture	Description	Dimension	
 <p>Pilot Lamp LAS0-K-D/△/▲/※</p>	<p>LED color △ R G Y B W</p> <p>LED voltage ▲ 6V / 12V / 24V / 110V / 220V / 380V</p> <p>IP degree※ P:IP65 / No letter means IP40</p> <p>Accessory Protective cover T16</p>		
 <p>Transparent Ring Pilot Lamp LAS0-K-EA/△/▲/※</p>	<p>LED color △ R G Y B W</p> <p>LED voltage ▲ 6V / 12V / 24V / 110V / 220V / 380V</p> <p>IP degree※ P:IP65 / No letter means IP40</p> <p>Accessory Protective cover T16</p>		
 <p>Ring Pilot Lamp LAS0-K-EB/△/▲/※</p>	<p>LED color △ R G Y B W</p> <p>LED voltage ▲ 6V / 12V / 24V / 110V / 220V / 380V</p> <p>IP degree※ P:IP65 / No letter means IP40</p> <p>Accessory Protective cover T16</p>		
 <p>Push button (can be illuminated) LAS0-K-□■/△/▲/※</p>	<p>Contact □ 11: 1N01NC / 10: 1N0 / 01: 1NC Other switch combinations refer to the model description</p> <p>Operation ■ Z: Latching / No letter: Momentary</p> <p>LED color △ R G Y B W</p> <p>LED voltage ▲ 6V / 12V / 24V / 110V / 220V</p> <p>IP degree※ P:IP65 / No letter means IP40</p> <p>Accessory Protective cap T16 / T35 protective cover</p>	 <p>With light button L=72 Push button L=55</p>	
 <p>Push button (can be illuminated) LAS0-K-□■EA/△/▲/※</p>	<p>Contact □ 11: 1N01NC / 10: 1N0 / 01: 1NC Other switch combinations refer to the model description</p> <p>Operation ■ Z: Latching / No letter: Momentary</p> <p>LED color △ R G Y B W</p> <p>LED voltage ▲ 6V / 12V / 24V / 110V / 220V</p> <p>IP degree※ P:IP65 / No letter means IP40</p> <p>Accessory Protective cap T16 / T35 protective cover</p>	 <p>With light button L=72 Push button L=55</p>	


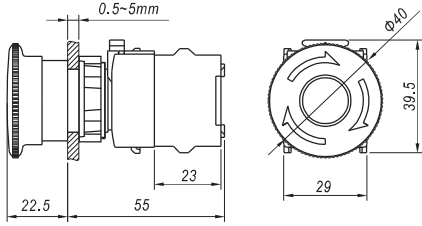

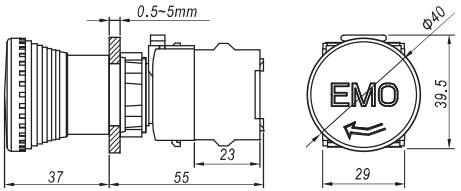

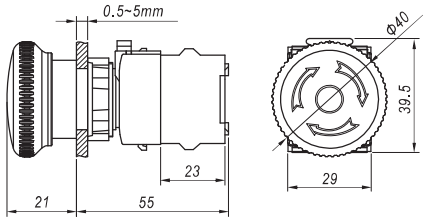

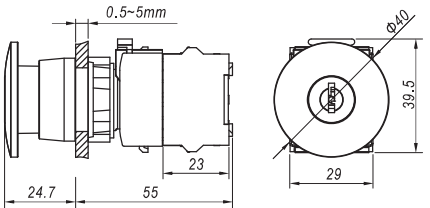

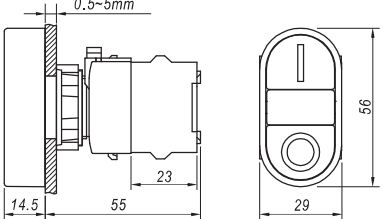


Product Picture	Description	Dimension
 <p>Ring Push button (can be illuminated) LAS0-K-□EB/△/▲/※</p>	<p>Contact □ 11: 1NO1NC / 10: 1NO / 01: 1NC Other switch combinations refer to the model description</p> <p>Operation ■ Z: Latching / No letter: Momentary</p> <p>LED color △ R G Y B W</p> <p>LED voltage ▲ 6V / 12V / 24V / 110V / 220V / 380V</p> <p>IP degree※ P:IP65 / No letter means IP40</p> <p>Accessory Protective cap T16 / T35 protective cover</p>	 <p>With light button L=72 Push button L=55</p>
 <p>Metal Flat Head Push button LAS0-K-□P/※</p>	<p>Contact □ 11: 1NO1NC / 10: 1NO / 01: 1NC Other switch combinations refer to the model description</p> <p>Operation ■ Z: Latching / No letter: Momentary</p> <p>IP degree※ P:IP65 / No letter means IP40</p> <p>Accessory Protective cap T16 / T35 protective cover</p>	
 <p>Metal Domed Head Push button LAS0-K-□Q/※</p>	<p>Contact □ 11: 1NO1NC / 10: 1NO / 01: 1NC Other switch combinations refer to the model description</p> <p>Operation ■ Z: Latching / No letter: Momentary</p> <p>IP degree※ P:IP65 / No letter means IP40</p> <p>Accessory Protective cap T16 / T35 protective cover</p>	
 <p>Selector Switch LAS0-K-□X/◇◆/※</p>	<p>Contact □ 11: 1NO1NC / 20: 2NO / 02: 2NC Other switch combinations refer to the model description</p> <p>Operation ◇ ◆</p>  <p>(32 Default right momentary, left momentary can be customized) Contact, pls refer to "contact on/off chart"</p> <p>IP degree※ P:IP65 / No letter means IP40</p> <p>Accessory T35 protective cover</p>	
 <p>A Type Lever Switch LAS0-K-□XA/◇◆/※</p>	<p>Contact □ 11: 1NO1NC / 20: 2NO / 02: 2NC Other switch combinations refer to the model description</p> <p>Operation ◇ ◆</p>  <p>(32 Default right momentary, left momentary can be customized) Contact, pls refer to "contact on/off chart"</p> <p>IP degree※ P:IP65 / No letter means IP40</p> <p>Accessory T35 protective cover</p>	







Product Picture	Description	Dimension
 <p>B Type Lever Switch LAS0-K-□XB/◇◆/△/※</p>	<p>Contact □ 11: 1NO1NC / 20: 2NO / 02: 2NC Other switch combinations refer to the model description</p> <p>Operation ◇◆ </p> <p>(32 Default right momentary, left momentary can be customized) Contact, pls refer to "contact on/off chart"</p> <p>LED color △ R G Y N</p> <p>IP degree※ P: IP65 / No letter means IP40</p> <p>Accessory T35 protective cover</p>	 <p>0.5~5mm 23 55 23 29 39.5</p>
 <p>D Type Selector Switch LAS0-K-□XD/◇◆/※</p>	<p>Contact □ 11: 1NO1NC / 20: 2NO / 02: 2NC Other switch combinations refer to the model description</p> <p>Operation ◇◆ </p> <p>(32 Default right momentary, left momentary can be customized) Contact, pls refer to "contact on/off chart"</p> <p>IP degree※ P: IP65 / No letter means IP40</p> <p>Accessory T35 protective cover</p>	 <p>0.5~5mm 22.5 55 23 29 39.5</p>
 <p>Key-lock Switch LAS0-K-□YA/◇◆●/※</p>	<p>Contact □ 11: 1NO1NC / 20: 2NO / 02: 2NC Other switch combinations refer to the model description</p> <p>Operation ◇◆ </p> <p>(32 Default right momentary, left momentary can be customized) Contact, pls refer to "contact on/off chart"</p> <p>Unmovable Position of Key● Refer to Notes</p> <p>IP degree※ P: IP65 / No letter means IP40</p> <p>Accessory T35 protective cover</p>	 <p>0.5~5mm 10 55 23 29 39.5</p>
 <p>A Type Illuminated Mushroom LAS0-K-□■MA/△/▲/※</p>	<p>Contact □ 11: 1NO1NC / 10: 1NO / 01: 1NC Other switch combinations refer to the model description</p> <p>Operation ■ Z: Latching / No letter: Momentary</p> <p>LED color △ R G</p> <p>LED voltage ▲ 6V / 12V / 24V / 110V / 220V</p> <p>IP degree※ P: IP65 / No letter means IP40</p> <p>Accessory T35 protective cover/ Protective cap T16 / Protective cap T24-A</p>	 <p>0.5~5mm 24 17 23 L 29 39.5</p> <p>With light button L=72 Push button L=55</p>
 <p>B Type Mushroom LAS0-K-□■MB/R/※</p>	<p>Contact □ 11: 1NO1NC / 10: 1NO / 01: 1NC Other switch combinations refer to the model description</p> <p>Operation ■ Z: Latching / No letter: Momentary</p> <p>LED color △ R</p> <p>IP degree◎ P: IP65 / No letter means IP40</p> <p>Accessory T35 protective cover/ Protective cap T16 / Protective cap T24-A</p>	 <p>0.5~5mm 23 55 23 29 39.5</p>









Product Picture	Description	Dimension
 <p>A Type Emergency stop switch LAS0-K-□TSA/R/※</p>	<p>Contact □ 11: 1NO1NC / 10: 1NO / 01: 1NC Other switch combinations refer to the model description IP degree※ P:IP65 / No letter means IP40 Accessory T35 protective cover/ Warning ring T14-2260 / T26 protection ring</p>	
 <p>B Type Emergency stop switch LAS0-K-□TSB</p>	<p>Contact □ 11: 1NO1NC / 10: 1NO / 01: 1NC Other switch combinations refer to the model description IP degree IP40 Accessory T35 protective cover/ Warning ring T14-2260 / T26 protection ring</p>	
 <p>C Type Emergency stop switch LAS0-K-□TSC/※</p>	<p>Contact □ 11: 1NO1NC / 10: 1NO / 01: 1NC Other switch combinations refer to the model description IP degree※ P:IP65 / No letter means IP40 Accessory T35 protective cover/ Warning ring T14-2260 / T26 protection ring</p>	
 <p>Emergency stop Key-lock Switch LAS0-K-□YTS</p>	<p>Contact □ 11: 1NO1NC / 10: 1NO / 01: 1NC Other switch combinations refer to the model description IP degree IP40 Accessory T35 protective cover/ Warning ring T14-2260 / T26 protection ring</p>	
 <p>Double-position (can be illuminated) LAS0-K-□S/▲</p>	<p>Contact □ 11: 1NO1NC / 10: 1NO / 01: 1NC Other switch combinations refer to the model description LED voltage▲ 6V / 12V / 24V / 110V / 220V IP degree IP40 Accessory T35 protective cover</p>	










LAS0-LA Aluminum alloy head (black plated) product

Models	Pilot Lamp LAS0-LA-D/△/▲/※	Flat Head push button(can be illuminated) LAS0-LA-□■/△/※	Selector Switch LAS0-LA-□X/◇◆/※	A Type Selector Switch LAS0-LA-□XB/◇◆/※
Shape				

LAS0-KA Aluminum alloy head (black plated) product


Models	Pilot Lamp LAS0-KA-D/△/▲/※	Flat Head push button(can be illuminated) LAS0-KA-□■/△/※	Selector Switch LAS0-KA-□X/◇◆/※	A Type Selector Switch LAS0-KA-□XA/◇◆/※
Shape				
Models	B Type Selector Switch LAS0-KA-□XB/◇◆/△/※	Key-lock Switch LAS0-KA-□Y/◇◆/※		
Shape				

LAS0-KE Economical Type Plastic head product

Models	Pilot Lamp LAS0-KE-D/△/▲/※	Flat Head push button LAS0-KE-□■/△/※	Flat Head push button(can be illuminated) LAS0-KE-□■/△/▲/※	Selector Switch LAS0-KE-□X/◇◆/※
Shape				
Models	A Type Selector Switch LAS0-KE-□XA/◇◆/※	B Type Selector Switch LAS0-KE-□XB/◇◆/△/※	Key-lock Switch LAS0-KE-□YA/◇◆/※	
Shape				

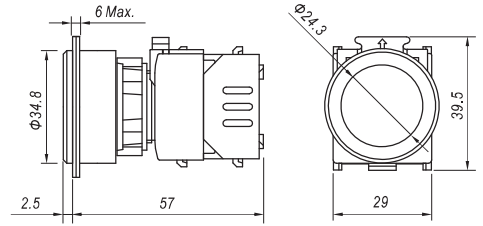
Product Picture	Description	Dimension
-----------------	-------------	-----------

Can customize stainless steel head



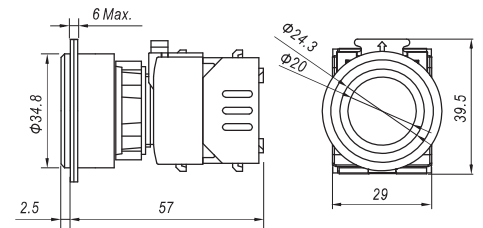
Pilot Lamp
LAS0-K30-D/ Δ / \blacktriangle / \ast

LED color Δ R G Y B W
 LED voltage \blacktriangle 6V / 12V / 24V / 110V / 220V / 380V
 IP degree \ast P:IP65 / No letter means IP40



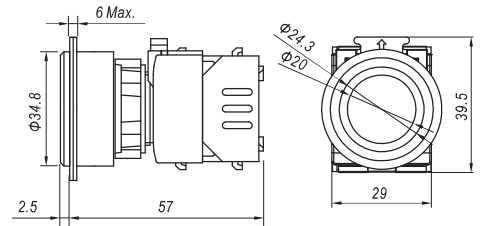

Transparent Ring Pilot Lamp
LAS0-K30-EA/ Δ / \blacktriangle / \ast

LED color Δ R G Y B W
 LED voltage \blacktriangle 6V / 12V / 24V / 110V / 220V / 380V
 IP degree \ast P:IP65 / No letter means IP40




Ring Pilot Lamp
LAS0-K30-EB/ Δ / \blacktriangle / \ast

LED color Δ R G Y B W
 LED voltage \blacktriangle 6V / 12V / 24V / 110V / 220V / 380V
 IP degree \ast P:IP65 / No letter means IP40

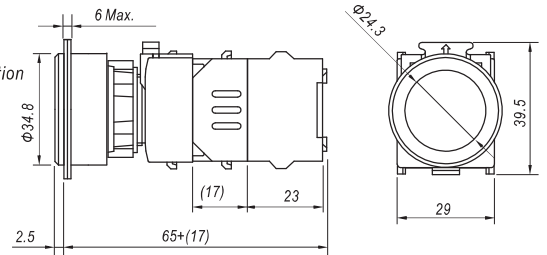


Can customize stainless steel head



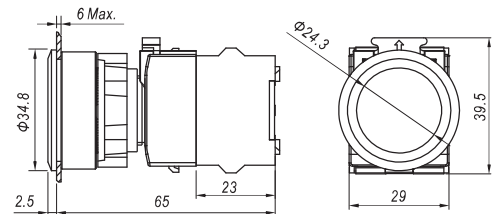
Round Flat head Push button (can be illuminated)
LAS0-K30- \square / \blacksquare / Δ / \blacktriangle / \ast

Contact \square 11: 1NO1NC / 10: 1NO / 01: 1NC
 Other switch combinations refer to the model description
 Operation \blacksquare Z: Latching / No letter: Momentary
 LED color Δ R G Y B W N
 LED voltage \blacktriangle 6V / 12V / 24V / 110V / 220V / 380V
 IP degree \ast P:IP65 / No letter means IP40
 Accessory T35 protective cover

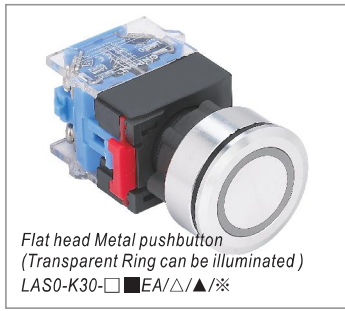



Flat head Metal Push button (can be illuminated)
LAS0-K30- \square / \blacksquare /P/ \ast

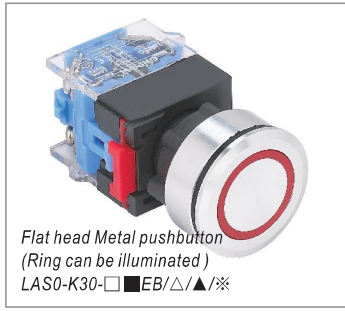
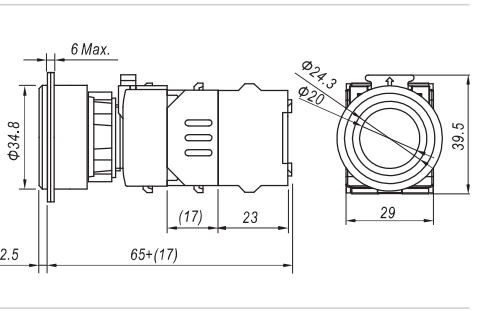
Contact \square 11: 1NO1NC / 10: 1NO / 01: 1NC
 Other switch combinations refer to the model description
 Operation \blacksquare Z: Latching / No letter: Momentary
 IP degree \ast P:IP65 / No letter means IP40
 Accessory T35 protective cover



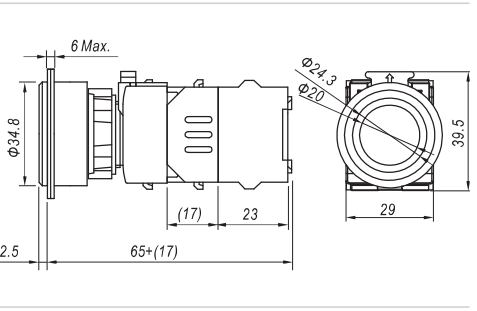
Product Picture	Description	Dimension
-----------------	-------------	-----------



Contact □ 11: 1NO1NC / 10: 1NO / 01: 1NC
Other switch combinations refer to the model description
Operation ■ Z: Latching / No letter: Momentary
LED color △ R G Y B W
LED voltage ▲ 6V / 12V / 24V / 110V / 220V / 380V
IP degree ※ P: IP65 / No letter means IP40
Accessory T35 protective cover

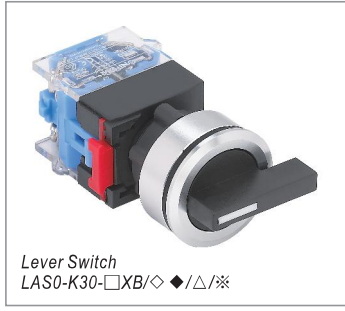
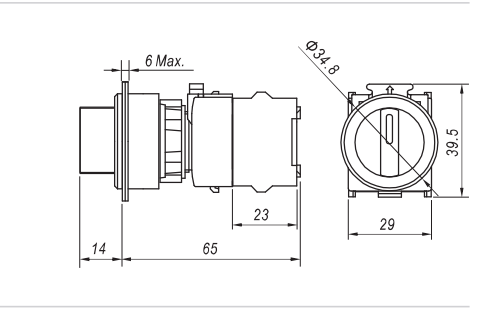


Contact □ 11: 1NO1NC / 10: 1NO / 01: 1NC
Other switch combinations refer to the model description
Operation ■ Z: Latching / No letter: Momentary
LED color △ R G Y B W
LED voltage ▲ 6V / 12V / 24V / 110V / 220V / 380V
IP degree ※ P: IP65 / No letter means IP40
Accessory T35 protective cover



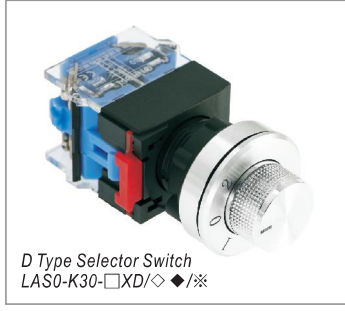
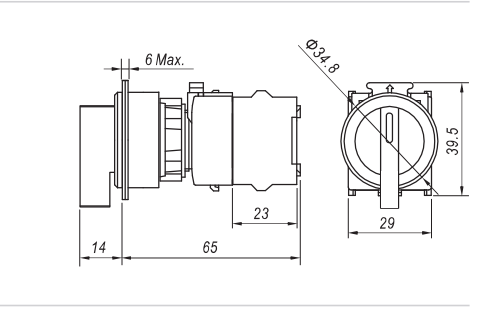
Contact □ 11: 1NO1NC / 20: 2NO / 02: 2NC
Other switch combinations refer to the model description
Operation ◇ ◆

(32 Default right momentary, left momentary can be customized)
Contact, pls refer to "contact on/off chart"
LED color △ R G N
IP degree ※ P: IP65(only maintain type) / No letter means IP40
Accessory T35 protective cover



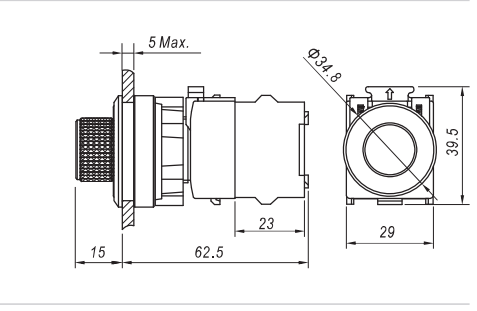
Contact □ 11: 1NO1NC / 20: 2NO / 02: 2NC
Other switch combinations refer to the model description
Operation ◇ ◆

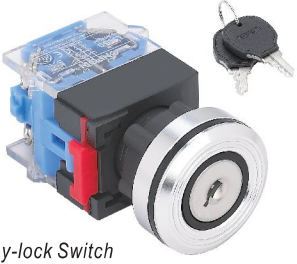
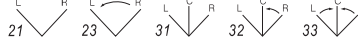
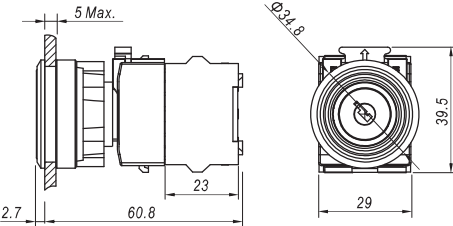


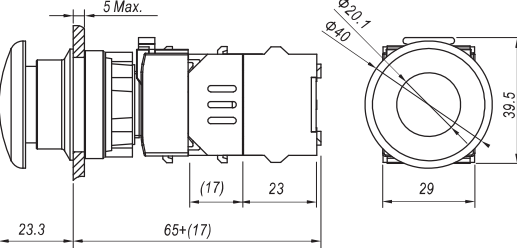

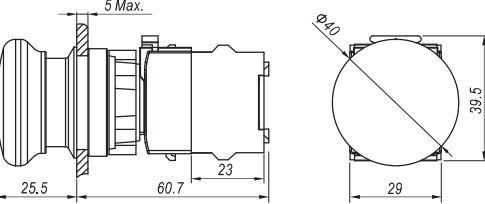


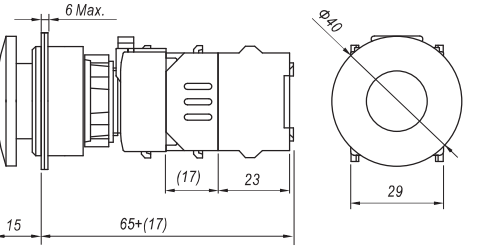

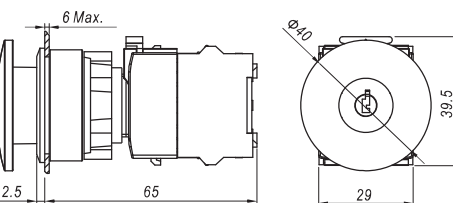
(32 Default right momentary, left momentary can be customized)
Contact, pls refer to "contact on/off chart"
LED color △ R G N
IP degree ※ P: IP65(only maintain type) / No letter means IP40
Accessory T35 protective cover



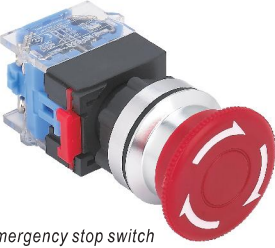
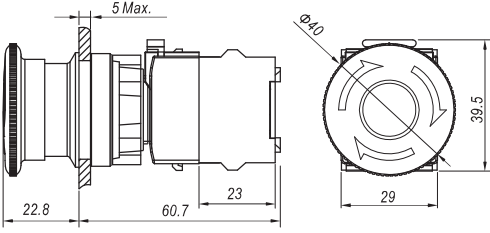
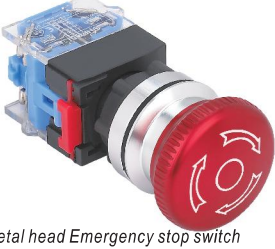
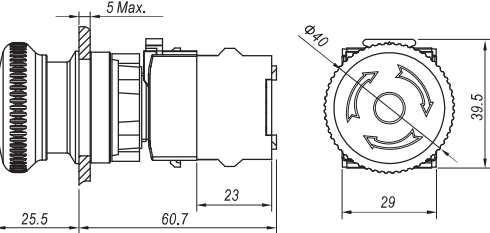
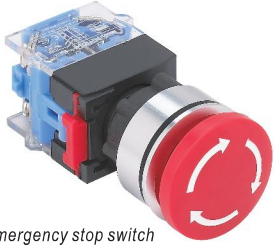
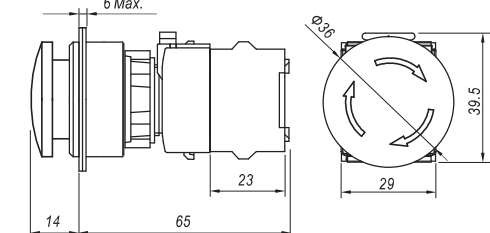
Contact □ 11: 1NO1NC / 20: 2NO / 02: 2NC
Other switch combinations refer to the model description
Operation ◇ ◆

(32 Default right momentary, left momentary can be customized)
Contact, pls refer to "contact on/off chart"
IP degree ※ P: IP65(only maintain type) / No letter means IP40
Accessory T35 protective cover


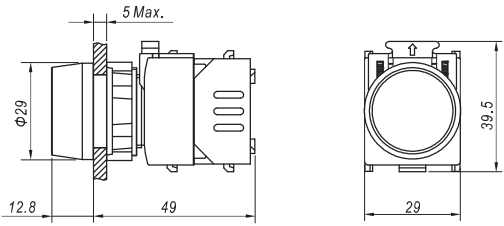

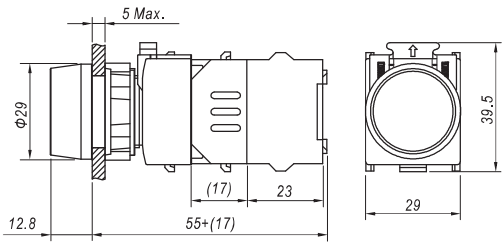

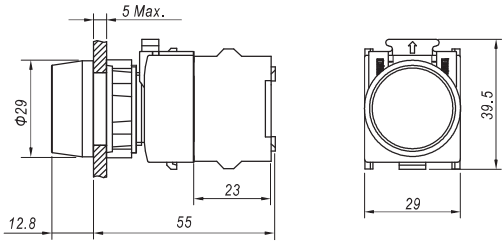

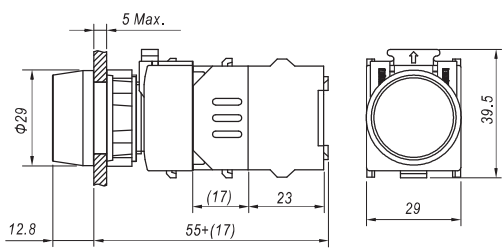

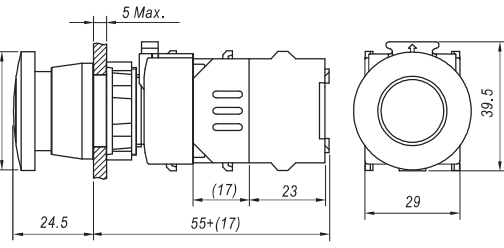


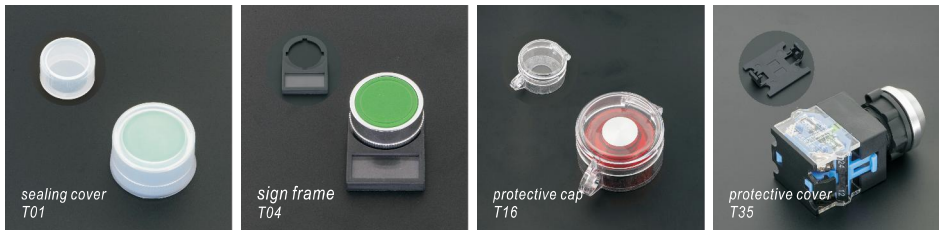
Product Picture	Description	Dimension
 <p>Key-lock Switch LAS0-K30-□YA/◇◆●/※</p>	<p>Contact □ 11: 1NO1NC / 20: 2NO / 02: 2NC Other switch combinations refer to the model description</p> <p>Operation ◇ ◆ </p> <p>(32 Default right momentary, left momentary can be customized) Contact, pls refer to "contact on/off chart"</p> <p>IP degree※ P:IP65(only maintain type) / No letter means IP40</p> <p>Accessory T35 protective cover</p>	
 <p>A Type Illuminated Mushroom LAS0-K30-□MA/△/▲/※</p>	<p>Contact □ 11: 1NO1NC / 10: 1NO / 01: 1NC Other switch combinations refer to the model description</p> <p>LED color△ </p> <p>LED voltage▲ 6V / 12V / 24V / 110V / 220V / 380V</p> <p>IP degree※ P:IP65 / No letter means IP40</p> <p>Accessory T35 protective cover</p>	
 <p>B Type Mushroom LAS0-K30-□MB/※</p>	<p>Contact □ 11: 1NO1NC / 10: 1NO / 01: 1NC Other switch combinations refer to the model description</p> <p>Operation■ Z: Latching / No letter: Momentary</p> <p>IP degree※ P:IP65 / No letter means IP40</p> <p>Accessory T35 protective cover</p>	
 <p>C Type Mushroom LAS0-K30-□MC/△/※</p>	<p>Contact □ 11: 1NO1NC / 10: 1NO / 01: 1NC Other switch combinations refer to the model description</p> <p>Operation■ Z: Latching / No letter: Momentary</p> <p>LED color△ </p> <p>IP degree※ P:IP65 / No letter means IP40</p> <p>Accessory T35 protective cover</p>	
 <p>Emergency stop Key-lock Switch LAS0-K30-□YTS</p>	<p>Contact □ 11: 1NO1NC / 10: 1NO / 01: 1NC Other switch combinations refer to the model description</p> <p>IP degree IP40</p> <p>Accessory T35 protective cover</p> <p>Press to lock, key to unlock</p>	


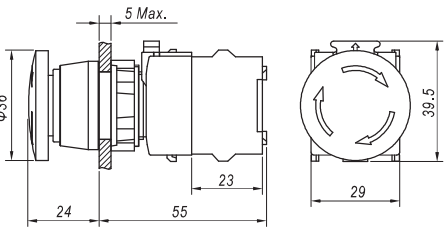

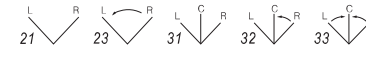
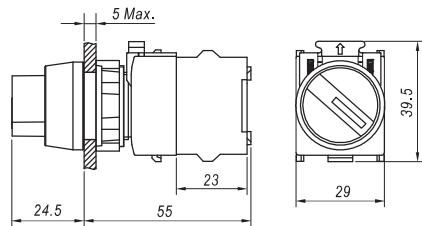

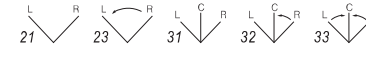
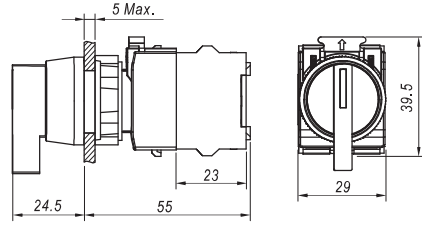
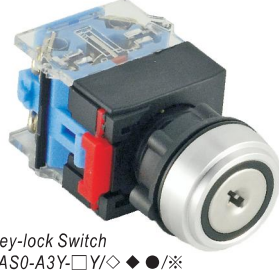
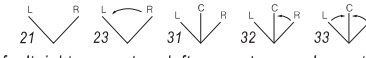
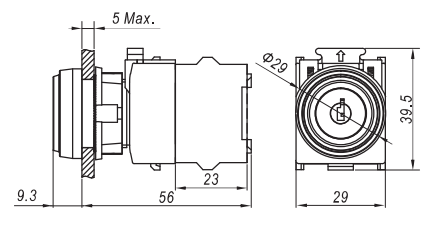


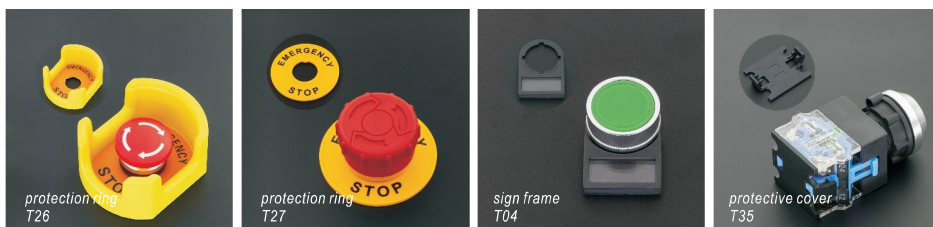
Product Picture	Description	Dimension
 <p>Emergency stop switch LAS0-K30-□TSA</p>	<p>Contact □ 11: 1NO1NC / 10: 1NO / 02: 2NC Other switch combinations refer to the model description</p> <p>IP degree IP40</p> <p>Accessory T35 protective cover</p>	
 <p>Metal head Emergency stop switch LAS0-K30-□TSC</p>	<p>Contact □ 11: 1NO1NC / 10: 1NO / 02: 2NC Other switch combinations refer to the model description</p> <p>IP degree IP40</p> <p>Accessory T35 protective cover</p>	
 <p>Emergency stop switch LAS0-K30-□TSD</p>	<p>Contact □ 11: 1NO1NC / 10: 1NO / 02: 2NC Other switch combinations refer to the model description</p> <p>IP degree IP40</p> <p>Accessory T35 protective cover</p>	


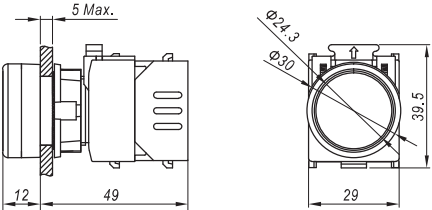

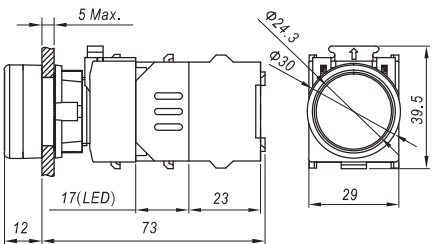
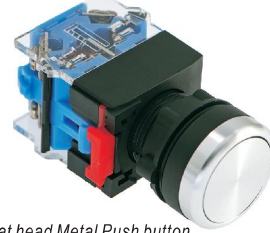
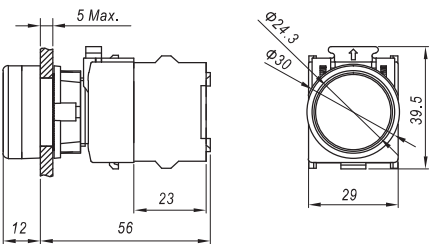

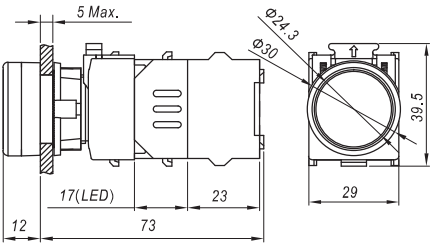

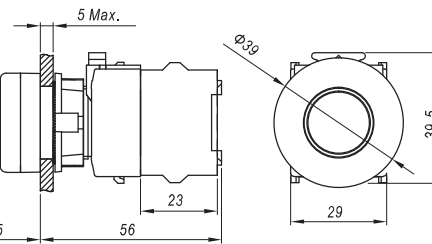


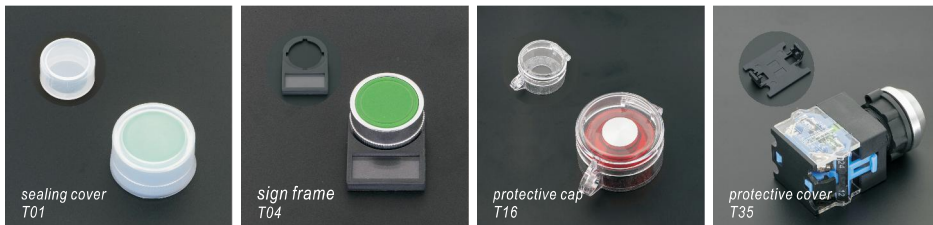
Product Picture	Description	Dimension
 <p>Pilot Lamp LAS0-A3Y-D/Δ/▲</p>	<p>LED color Δ R G Y B W</p> <p>LED voltage ▲ 6V / 12V / 24V / 110V / 220V / 380V</p> <p>IP degree IP40</p> <p>Accessory T01 sealing cover / T04 sign frame</p>	
 <p>Round Flat head Push button (can be illuminated) LAS0-A3Y-□■/Δ/▲</p>	<p>Contact □ 11: 1NO1NC / 10: 1NO / 01: 1NC Other switch combinations refer to the model description</p> <p>Operation ■ Z: Latching / No letter: Momentary</p> <p>LED color Δ R G Y B W N</p> <p>LED voltage ▲ 6V / 12V / 24V / 110V / 220V / 380V</p> <p>IP degree IP40</p> <p>Accessory T01 sealing cover / T04 sign frame / T35 protective cover</p>	
 <p>Flat head Metal Push button (can be illuminated) LAS0-A3Y-□■P</p>	<p>Contact □ 11: 1NO1NC / 10: 1NO / 01: 1NC Other switch combinations refer to the model description</p> <p>Operation ■ Z: Latching / No letter: Momentary</p> <p>IP degree IP40</p> <p>Accessory T01 sealing cover / T04 sign frame / T35 protective cover</p>	
 <p>Transparent Ring illuminated Push button LAS0-A3Y-□■EA/Δ/▲</p>	<p>Contact □ 11: 1NO1NC / 10: 1NO / 01: 1NC Other switch combinations refer to the model description</p> <p>Operation ■ Z: Latching / No letter: Momentary</p> <p>LED color Δ R G Y B W N</p> <p>LED voltage ▲ 6V / 12V / 24V / 110V / 220V / 380V</p> <p>IP degree IP40</p> <p>Accessory T01 sealing cover / T04 sign frame / T35 protective cover</p>	
 <p>Mushroom (can be illuminated) LAS0-A3Y-□■M/Δ/▲</p>	<p>Contact □ 11: 1NO1NC / 10: 1NO / 01: 1NC Other switch combinations refer to the model description</p> <p>Operation ■ Z: Latching / No letter: Momentary</p> <p>LED color Δ R G Y</p> <p>LED voltage ▲ 6V / 12V / 24V / 110V / 220V</p> <p>IP degree IP40</p> <p>Accessory T35 protective cover / Protective cap T16</p>	

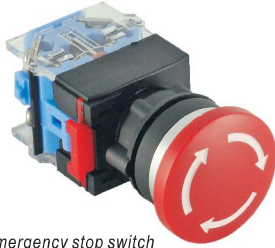
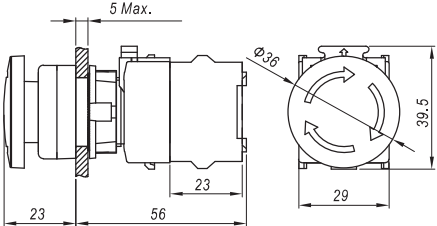
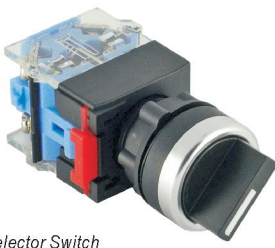
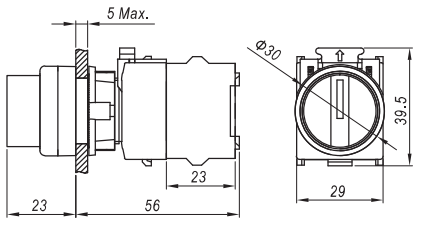
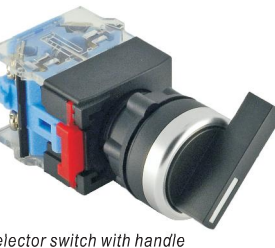
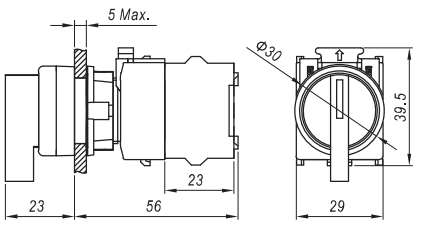
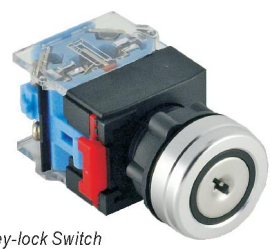
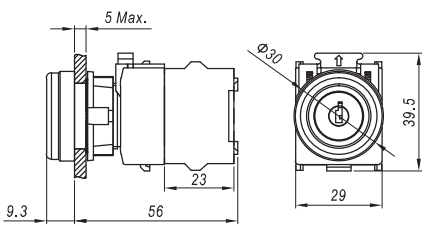



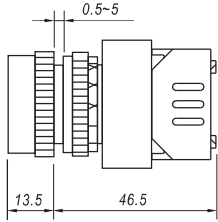
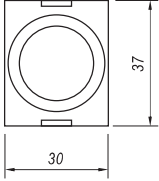

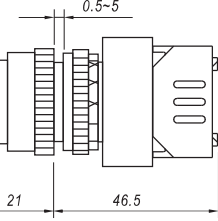
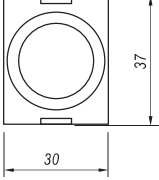

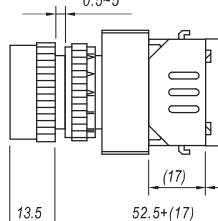
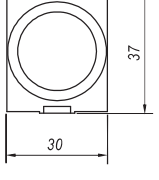

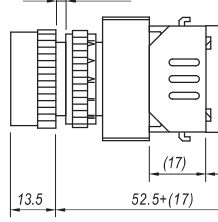
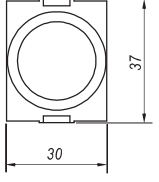

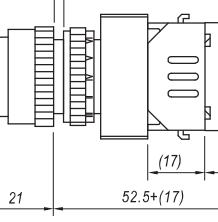
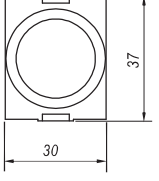
Product Picture	Description	Dimension
 <p>Emergency stop switch LAS0-A3Y-□TS</p>	<p>Contact□ 11: 1NO1NC / 10: 1NO / 02: 2NC Other switch combinations refer to the model description</p> <p>IP degree IP40</p> <p>Accessory Warning ring T14-2260 / T35 protective cover / T26 protection ring</p>	
 <p>Selector Switch LAS0-A3Y-□X/◇/◆/△</p>	<p>Contact□ 11: 1NO1NC / 20: 2NO / 02: 2NC Other switch combinations refer to the model description</p> <p>Operation◇◆  (32 Default right momentary, left momentary can be customized) Contact, pls refer to "contact on/off chart"</p> <p>LED color△ R G N</p> <p>IP degree IP40</p> <p>Accessory T35 protective cover / T04 sign frame</p>	
 <p>Selector switch with handle LAS0-A3Y-□XB/◇/◆/△</p>	<p>Contact□ 11: 1NO1NC / 20: 2NO / 02: 2NC Other switch combinations refer to the model description</p> <p>Operation◇◆  (32 Default right momentary, left momentary can be customized) Contact, pls refer to "contact on/off chart"</p> <p>LED color△ R G N</p> <p>IP degree IP40</p> <p>Accessory T35 protective cover / T04 sign frame</p>	
 <p>Key-lock Switch LAS0-A3Y-□Y/◇/◆/●/※</p>	<p>Contact□ 11: 1NO1NC / 20: 2NO / 02: 2NC Other switch combinations refer to the model description</p> <p>Operation◇◆  (32 Default right momentary, left momentary can be customized) Contact, pls refer to "contact on/off chart"</p> <p>Unmovable Position of Key● Refer to Notes</p> <p>IP degree※ P: IP65(only maintain type) / No letter means IP40 Can be customized with keys that cannot be pulled out at the specified location</p> <p>Accessory T35 protective cover / T04 sign frame</p>	




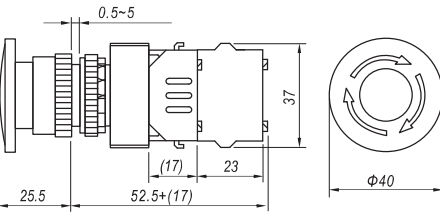
Product Picture	Description	Dimension
 <p>Pilot Lamp LAS0-B3Y-D/Δ/▲</p>	<p>LED color△ R G Y B W</p> <p>LED voltage▲ 6V / 12V / 24V / 110V / 220V / 380V</p> <p>IP degree IP40</p> <p>Accessory T04 sign frame</p>	
 <p>Round Flat head Push button (can be illuminated) LAS0-B3Y-□■/Δ/▲</p>	<p>Contact□ 11: 1NO1NC / 10: 1NO / 01: 1NC Other switch combinations refer to the model description</p> <p>Operation■ Z: Latching / No letter: Momentary</p> <p>LED color△ R G Y B W N</p> <p>LED voltage▲ 6V / 12V / 24V / 110V / 220V / 380V</p> <p>IP degree IP40</p> <p>Accessory T04 sign frame / T35 protective cover</p>	
 <p>Flat head Metal Push button LAS0-B3Y-□■P</p>	<p>Contact□ 11: 1NO1NC / 10: 1NO / 01: 1NC Other switch combinations refer to the model description</p> <p>Operation■ Z: Latching / No letter: Momentary</p> <p>IP degree IP40</p> <p>Accessory T04 sign frame / T35 protective cover</p>	
 <p>Ring illuminated Push button LAS0-B3Y-□■EA/Δ/▲</p>	<p>Contact□ 11: 1NO1NC / 10: 1NO / 01: 1NC Other switch combinations refer to the model description</p> <p>Operation■ Z: Latching / No letter: Momentary</p> <p>LED color△ R G Y B W N</p> <p>LED voltage▲ 6V / 12V / 24V / 110V / 220V / 380V</p> <p>IP degree IP40</p> <p>Accessory T04 sign frame / T35 protective cover</p>	
 <p>Mushroom (can be illuminated) LAS0-B3Y-□■M/Δ/▲</p>	<p>Contact□ 11: 1NO1NC / 10: 1NO / 01: 1NC Other switch combinations refer to the model description</p> <p>Operation■ Z: Latching / No letter: Momentary</p> <p>LED color△ R G Y</p> <p>LED voltage▲ 6V / 12V / 24V / 110V / 220V / 380V</p> <p>IP degree IP40</p> <p>Accessory T35 protective cover / Protective cap T16</p>	



Product Picture	Description	Dimension
 <p>Emergency stop switch LAS0-B3Y-□TS</p>	<p>Contact □ 11: 1NO1NC / 10: 1NO / 02: 2NC Other switch combinations refer to the model description</p> <p>IP degree IP40</p> <p>Accessory Warning ring T14-2260 / T35 protective cover / T26 protection ring</p>	
 <p>Selector Switch LAS0-B3Y-□X/◇◆</p>	<p>Contact □ 11: 1NO1NC / 20: 2NO / 02: 2NC Other switch combinations refer to the model description</p> <p>Operation ◇◆</p> <p>(32 Default right momentary, left mementary can be customized) Contact, pls refer to "contact on/off chart"</p> <p>IP degree IP40</p> <p>Accessory T04 sign frame / T35 protective cover</p>	
 <p>Selector switch with handle LAS0-B3Y-□XB/◇◆/△</p>	<p>Contact □ 11: 1NO1NC / 20: 2NO / 02: 2NC Other switch combinations refer to the model description</p> <p>Operation ◇◆</p> <p>(32 Default right momentary, left mementary can be customized) Contact, pls refer to "contact on/off chart"</p> <p>LED color △ R G N</p> <p>IP degree IP40</p> <p>Accessory T35 protective cover / T04 sign frame</p>	
 <p>Key-lock Switch LAS0-B3Y-□Y/◇◆●/※</p>	<p>Contact □ 11: 1NO1NC / 20: 2NO / 02: 2NC Other switch combinations refer to the model description</p> <p>Operation ◇◆</p> <p>(32 Default right momentary, left mementary can be customized) Contact, pls refer to "contact on/off chart"</p> <p>Unmovable Position of Key ● Refer to Notes</p> <p>IP degree ※ P: IP65 (only maintain type) / No letter means IP40</p> <p>Can be customized with keys that cannot be pulled out at the specified location</p> <p>Accessory T35 protective cover / T04 sign frame</p>	

Product Picture	Description	Dimension	
 <p>Fast Installation Pilot Lamp (can be illuminated) LAS0-Q-DS/Δ/▲</p>	<p>LED color△ R G Y B W LED voltage▲ 6V / 12V / 24V / 110V / 220V / 380V IP degree IP40 Accessory T01 sealing cover / T04 sign frame</p>		
 <p>Pilot Lamp LAS0-Q-D/Δ/▲</p>	<p>LED color△ R G Y B W LED voltage▲ 6V / 12V / 24V / 110V / 220V / 380V IP degree IP40 Accessory T04 sign frame</p>		
 <p>Fast Installation Flat Head (can be illuminated) LAS0-Q-□■S/Δ/▲</p>	<p>Contact□ 11: 1NO1NC / 10: 1NO / 01: 1NC Other switch combinations refer to the model description Operation■ Z: Latching / No letter: Momentary LED color△ R G Y B W N LED voltage▲ 6V / 12V / 24V / 110V / 220V / 380V IP degree IP40 Accessory T01 sealing cover / T04 sign frame / T35 protective cover</p>		
 <p>Flat Head (can be illuminated) LAS0-Q-□■/Δ/▲</p>	<p>Contact□ 11: 1NO1NC / 10: 1NO / 01: 1NC Other switch combinations refer to the model description Operation■ Z: Latching / No letter: Momentary LED color△ R G Y B W N LED voltage▲ 6V / 12V / 24V / 110V / 220V / 380V IP degree IP40 Accessory T01 sealing cover / T04 sign frame / T35 protective cover</p>		
 <p>Long Head (can be illuminated) LAS0-Q-□■G/Δ/▲</p>	<p>Contact□ 11: 1NO1NC / 10: 1NO / 01: 1NC Other switch combinations refer to the model description Operation■ Z: Latching / No letter: Momentary LED color△ R G Y B W N LED voltage▲ 6V / 12V / 24V / 110V / 220V / 380V IP degree IP40 Accessory T04 sign frame / T35 protective cover</p>		



Product Picture	Description	Dimension
 <p>Emergency stop switch (Can be illuminated) LAS0-Q-□TS/▲</p>	<p>Contact□ 11: 1NO1NC / 10: 1NO / 01: 1NC <i>Other switch combinations refer to the model description</i></p> <p>IP degree IP40</p> <p>Head dimension $\Phi 30\text{mm}$, $\Phi 40\text{mm}$</p> <p>Accessory Warning ring T14-2260 / T35 protective cover/ T26 protection ring</p>	



Product Overview

Y090 series are beautiful in appearance and complete in variety, and can provide a variety of solutions for industrial automation, medical equipment, electric power, machinery and other industry users to provide a variety of solutions.

Specs Products include buttons, signal indicators, emergency stop knob, knob, key knob, mushroom key knob, mushroom knob; $\Phi 22$ installation aperture, widely used.

Performance Using high quality inflaming retarding materials. Switch unit is separated independently and the insulating performance is very well. The product meets standards of IEC60947-5-1, GB14048.5 etc

Structure The switch unit is slow-break and self-cleaning. It uses modular combination mode and you can combine from one to eight switch units optional, so can make the product meet the requirement of many special control circuits.

Protective Degree Protection class IP40



Performance Characteristics

Operating temperature	-25 ~ + 55°C (no freezing) keep the air flowing around illuminated push button
Operation Humidity	45~85%RH (no condensation)
Contact Resistor	$\leq 50m\Omega$
Insulation Resistor	$\geq 100M\Omega(500VDC)$
Maximum withstand voltage	3000V, AC 50Hz, 1min
Vibration Resistance	50Hz, Amplitude 1.0mm
Mechanical Life	Momentary knob ≥ 1 million times key knob, emergency stop button $\geq 200,000$ times Latching knob, selection knob $\geq 500,000$ times
Electrical Life	$\geq 50,000$ times
Connection	Threaded connection, wire diameter: $2 \times 1.5 \text{ mm}^2$ max Pin terminal: $6.3 \times 0.8 \text{ mm}$
Operating force	1NO1NC: approx. 8N, 2NO2NC: approx. 14N (button)
Operation Travel	Approx. 5.5 mm (button)

Switch Ratings

Rated Insulation Voltage(Ui)		660V						
Terminal Current (Ith)		10A Temperature rise does not exceed the current allowed by the maximum rating						
Rated Voltage		24V	48V	110V	220V	380V	500V	
Rated Current	AC 50/60Hz	Resistive load	10A	—	10A	6A	—	—
		Inductive load	10A	—	6A	3A	1.8A	1.4A
	DC	Resistive load	8A	4A	2.2A	1.1A	—	—
		Inductive load	4A	2A	1.1A	0.6A	—	—
Contact material		Silver alloy						

Minimum adaptable load: 3VAC/DC 5mA (available range depends on the use environment and load type)

Lamp Ratings

Lamp type	2-way Illuminated LEDs			
Rated Voltage	AC/DC 6V	AC/DC 12V	AC/DC 110V	AC/DC 220V
	AC/DC 24V		AC 110V	AC 220V
Rated Current	$\leq 20 \text{ mA}$			
Lamp Life	40,000 hours			
Cover Color	R G Y B W			
Equivalent circuit	AC/DC: (resistor step-down)			
AC: (capacitor step-down)		Suitable Frequency: 50~60Hz		

Installation Dimensions and circuit diagram

Installation Dimensions

Circuit Diagram

The switch code is 11.
1, 2 are normal closed;
3, 4 are normal opened;

Type	A	B	C	Remark
Normal, Key-lock	≥ 50	≥ 40		1、Unit: mm 2、A and B both refer to the minimum size
Selector	≥ 50	≥ 40	$\Phi 22$	
Mushroom	≥ 50	≥ 50	$\Phi 25$	
Big Mushroom	≥ 70	≥ 70	$\Phi 30$	

The Contact Pair's Close-open State Chart of the Selector Switches and Key-lock Switches.

a、The Contact Pair's Close-open State Chart of 2-position Selector Switch.

	Type		
1	Y090-11■/2◆		
2	Y090-02■/2◆		
3	Y090-20■/2◆		
4	Y090-22■/2◆		
5	Y090-13■/2◆		
6	Y090-31■/2◆		
7	Y090-04■/2◆		
8	Y090-40■/2◆		
9	Y090-42■/2◆		
10	Y090-24■/2◆		
11	Y090-06■/2◆		
12	Y090-60■/2◆		
13	Y090-33■/2◆		
14	Y090-15■/2◆		
15	Y090-51■/2◆		

B、The Contact Pair's Close-open State Chart of 3-position Selector Switch.

	Type			
1	Y090-11■/3◆			
2	Y090-02■/3◆			
3	Y090-20■/3◆			
4	Y090-22■/3◆			
5	Y090-13■/3◆			
6	Y090-31■/3◆			
7	Y090-04■/3◆			
8	Y090-40■/3◆			
9	Y090-42■/3◆			
10	Y090-24■/3◆			
11	Y090-06■/3◆			
12	Y090-60■/3◆			
13	Y090-33■/3◆			
14	Y090-15■/3◆			
15	Y090-51■/3◆			

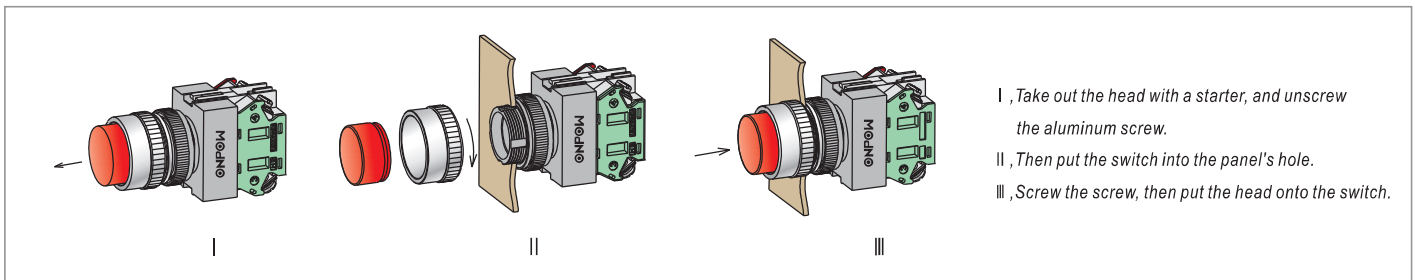
Note: 1、 express open state, express close state.
 2、If you need other contact state, please tell us.

Y090 Series model description

Y090-□■/◇/△/▲/※

Symbol	Symbol name	Specify
Y090	Series No.	Series number; if you need economic type, please add "E" at the end, i.e.: Y090E
□	Contact structure	one group of switching elements 11(1NO1NC) / 10(1NO) / 01(1NC) / 20(2NO) / 02(2NC)
		two groups of switching elements 22(2NO2NC) / 40(4NO) / 04(4NC) / 31(3NO1NC) / 13(1NO3NC) 30(3NO) / 03(3NC) / 21(2NO1NC) / 12(1NO2NC)
		Three groups of switching elements configuration and so on, can choose the combination according to the need
■	Operation type	No letter means Momentary D: Signal indicator / BD: Ball signal indicator / Z: latching button / G: High button / M: Mushroom button / ZM: latching mushroom button / TS: Emergency stop button / X: Rotary knob / XB: Knob / Y: Key Knob / YM: Mushroom Key Knob / M: Continuous Buzzer / S: Flashing Light / SM: Flashing Intermittent Buzzer
◇	Selector button and key button operation position	2: Two position / 3: Three position
◆	Selector Knob and Key Knob operation Type	1 maintain / 2 half return / 3 self return
△	Lamp color	R: Red / G: Green / Y: Yellow / B: Blue / W: White / N: Black
▲	Lamp voltage	6V / 12V / 24V / 110V / 220V / 380V / No letter means no light

Instruction



Product Picture	Description	Dimension
-----------------	-------------	-----------

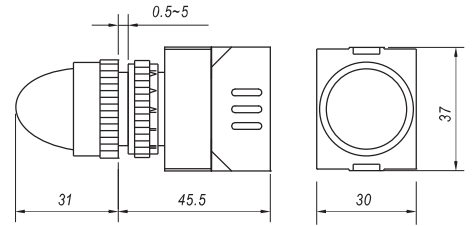


LED color R G Y B W

LED voltage ▲ 6V / 12V / 24V / 110V / 220V / 380V

IP degree IP40

Accessory T04 Sign Frame

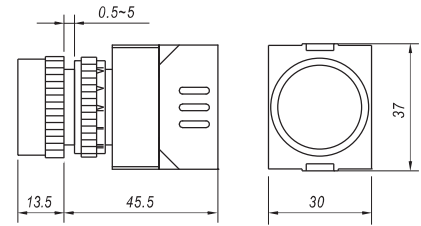


LED color R G Y B W

LED voltage ▲ 6V / 12V / 24V / 110V / 220V / 380V

IP degree IP40

Accessory T04 Sign Frame

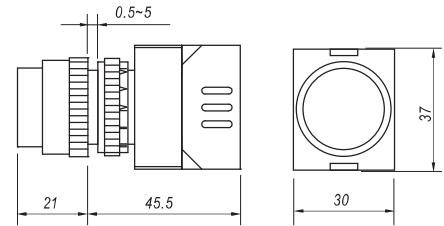


LED color R G Y B W

LED voltage ▲ 6V / 12V / 24V / 110V / 220V / 380V

IP degree IP40

Accessory T04 Sign Frame



Contact 11: 1NO1NC / 10: 1NO / 01: 1NC
Other switch combinations refer to the model description

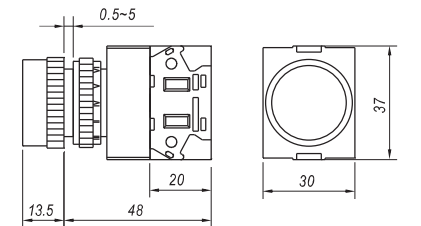
Operation Z: Latching / No letter: Momentary

LED color R G Y B W N

LED voltage ▲ 6V / 12V / 24V / 110V / 220V / 380V

IP degree IP40

Accessory Seal cover T01 / Sign frame T04 / Protective cover T17



Contact 11: 1NO1NC / 10: 1NO / 01: 1NC
Other switch combinations refer to the model description

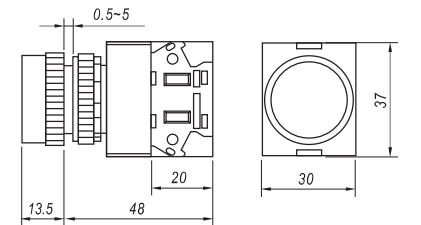
Operation Z: Latching / No letter: Momentary

LED color R G Y B W N

LED voltage ▲ 6V / 12V / 24V / 110V / 220V / 380V














IP degree IP40

Accessory Seal cover T01 / Sign frame T04 / Protective cover T17



Product Outline of Economical Type

Refer to Y090 product selection

P/N	Fast Installation Pilot Lamp Y090E-DS/△/▲/※	Round Pilot Lamp Y090E-D/△/▲	Domed Pilot Lamp Y090E-BD/△/▲	Fast Installation Flat Head (can be illuminated) Y090E-□■S/△/※ Y090E-□■S/△/▲/※
Shape				
P/N	Flat Head (can be illuminated) Y090E-□■/△/※ Y090E-□■/△/▲/※	Long Head (can be illuminated) Y090E-□■G/△ Y090E-□■G/△/▲	Mushroom Pushbutton (can be illuminated) Y090E-□■M/△ Y090E-□■M/△/▲	Φ 30mm Emergency Pushbutton (can be illuminated) Y090E-□TSA/△ Y090E-□TSA/△/▲
Shape				
P/N	Φ 40mm Emergency Pushbutton (can be illuminated) Y090E-□TS/△ Y090E-□TS/△/▲	Selector Switch (can be illuminated) Y090E-□X/◇◆/△ Y090E-□X/◇◆/△/▲	Lever Switch Y090E-□XB/◇◆/△	Key-lock Switch Y090E-□Y/◇◆
Shape				
P/N	Mushroom Key-lock Switch Y090E-□YM/◇◆/△			
Shape				

Product Overview

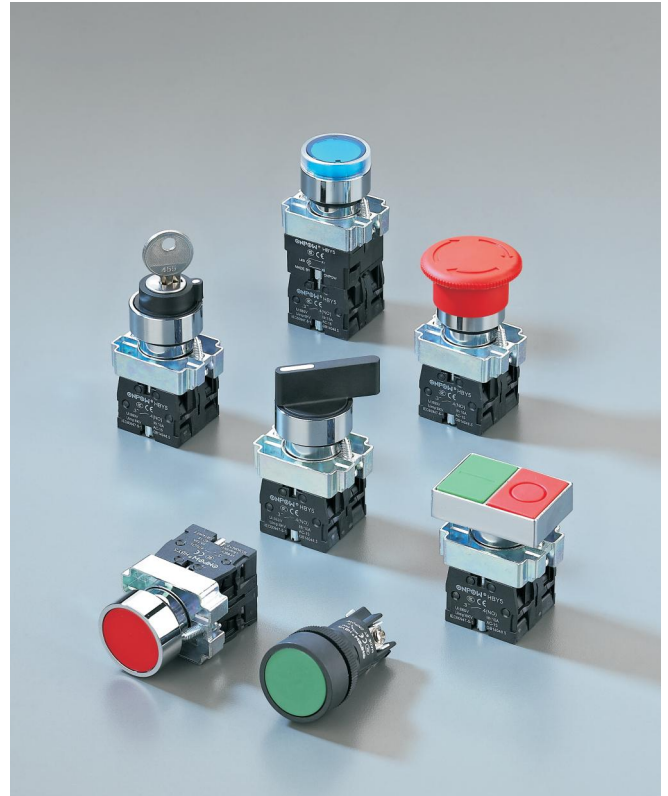
HBY5 series are suitable to industrial control circuit with AC 50Hz or 60HZ, rated voltage and D C operating voltage, used for the control of magnetic starter, contactor, relay and other electric circuit.

Specs The product has two types: normal type and economical type, containing pilot lamp, pushbuttons, illuminated pushbuttons, mushroom push button, emergency pushbuttons, selector switches, key-lock switches, mushroom key-lock switches, double head switches, The installation hole is $\Phi 22\text{mm}$ It used in wide area.

Performance Using high quality inflaming retarding materials. Switch unit is separated independently, the insulating performance and antivibration is very well. The product meets standards of IEC60947-5-1, GB14048.5 etc.

Structure The switch unit is slow-break and self-cleaning. It uses modular combination mode and you can combine from one to eight switch units optional, so can make the product meet the requirement of many special control circuits. It can be connected more safely and installed firmly. Economical plastic type can be used in acid environment.

Protective Degree Protection class have IP40 and IP65



Switch Ratings

Rated Insulation Voltage(Ui)		660V						
Terminal Current (Ith)		10A Temperature rise does not exceed the current allowed by the maximum rating						
Rated Voltage		24V	48V	110V	220V	380V	500V	
Rated Current	AC	Resistive load	10A	—	10A	6A	—	—
		Inductive load	10A	—	6A	3A	1.8A	1.4A
	DC	Resistive load	8A	4A	2.2A	1.1A	—	—
		Inductive load	4A	2A	1.1A	0.6A	—	—
Contact material		Silver alloy						

Minimum adaptable load: 3VAC/DC 5mA (available range depends on the use environment and load type)

Installation Dimensions and circuit diagram

Installation Dimensions

Circuit Diagram

The switch code is 11.
1,2 are normal closed;
3,4 are normal opened;

Type	A	B	C	Remark
Normal, Key-lock	≥ 50	≥ 40		1. Unit: mm 2. A and B both refer to the minimum size
Selector	≥ 50	≥ 40	$\Phi 22$	
Mushroom	≥ 50	≥ 50	$\Phi 25$	
Big Mushroom	≥ 70	≥ 70	$\Phi 30$	

Performance Characteristics

Operating temperature	-25 ~ + 55°C (no freezing) keep the air flowing around illuminated push button
Operation Humidity	45~85%RH (no condensation)
Use altitude	Installation location should not exceed 2000m above sea level
Contact Resistor	$\leq 50\text{m}\Omega$
Insulation Resistor	$\geq 100\text{M}\Omega(500\text{VDC})$
Maximum withstand voltage	3000V, AC 50Hz, 1min
Vibration Resistance	50Hz, Amplitude 1.0mm
Mechanical Life	Momentary knob ≥ 1 million times
	key knob, emergency stop button $\geq 200,000$ times Latching knob, selection knob $\geq 500,000$ times
Electrical Life	$\geq 50,000$ times
Connection	Screw terminal, connecting ability: Min : $1 \times 0.5\text{mm}$
	Max: $2 \times 1.5\text{mm}^2$ (with connecting link) Max: $1 \times 2.5\text{mm}^2$ (without connecting link)
Operating force	8N(1NO1NC), 14N(2NO2NC)
Operation Travel	Approx. 5.5 mm (button)
Pollution Degree	3 degrees

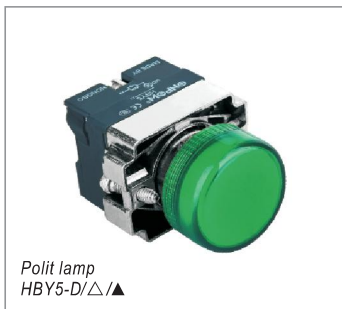
Lamp Ratings

LED Life	Rated Current	Voltage fluctuation	Lamp Circuit Diagram
≥ 40000 hours	$\leq 24\text{V}$ approx. 15mA $\geq 110\text{V}$ approx. 2mA	DC: $\pm 10\%$ AC: 20%	<p>Use inner protection resistors and no positive or negative distinction.</p>

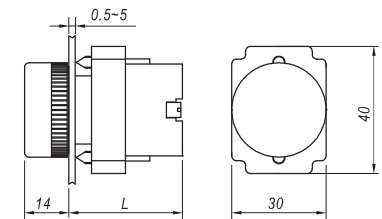
HBY5 Series model description

HBY5 ☆ ★ □ ◆ ◇ △ ※ /

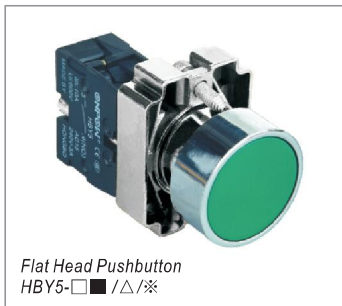
Symbol	Symbol name	Specify
☆	Structure type	E1: Simple type without letter means metal head
★	The front shape	J: double head without light / S: double head with light / No letter means round
□	Contact structure	one group of switching elements 11(1NO1NC) / 10(1NO) / 01(1NC) / 20(2NO) / 02(2NC)
		two groups of switching elements 22(2NO2NC) / 40(4NO) / 04(4NC) / 31(3NO1NC) / 13(1NO3NC) / 30(3NO) / 03(3NC) / 21(2NO1NC) / 12(1NO2NC)
		Three groups of switching elements configuration and so on, can choose the combination according to the need
■	Operation type	No letter means Momentary / D: Signal indicator / Z: latching button / M: Mushroom button / ZM: latching mushroom button / MT: Push-pull emergency stop button / TS: Emergency stop knob / X: Knob / XB: Knob / Y: Key knob
◇	Selector button and key button operation position	2: Two position / 3: Three position
◆	Selector Knob and Key Knob operation Type	1 maintain / 2 half return / 3 self return
△	Lamp color	R: Red / G: Green / Y: Yellow / B: Blue / W: White / N: Black
▲	Lamp voltage	6V / 12V / 24V / 110V / 220V / No letter means no light
※	IP Degree	FP: IP67 / P: IP65 / No letter means IP40



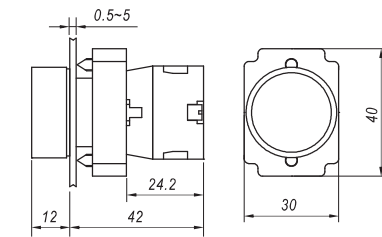
LED color△ **R G Y B W**
 LED voltage▲ 6V / 12V / 24V / 110V / 220V
 IP degree IP40
 Accessory T04 Sign Frame/Protective cover T17



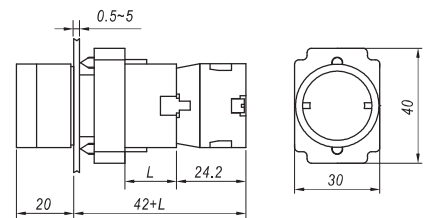
⊙ Voltage ≤ 60V, L=18; >60V, L=23.



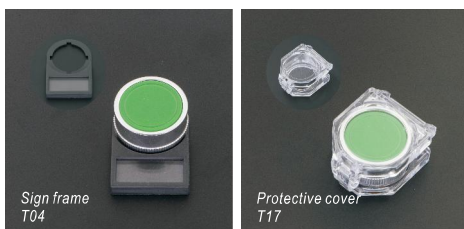
Contact□ 11: 1NO1NC / 10: 1NO / 01: 1NC
 Other switch combinations refer to the model description
 Operation■ Z: Latching / No letter: Momentary
 LED color△ **R G Y B W N**
 IP degree※ P: IP65 / No letter means IP40
 Accessory Sign frame T04/Protective cover T17


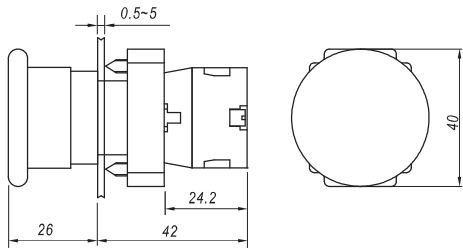

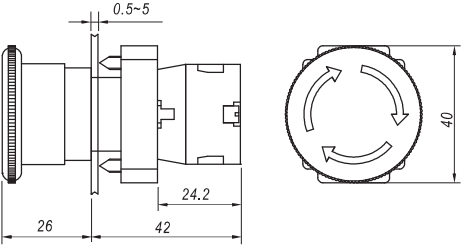
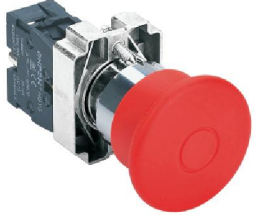
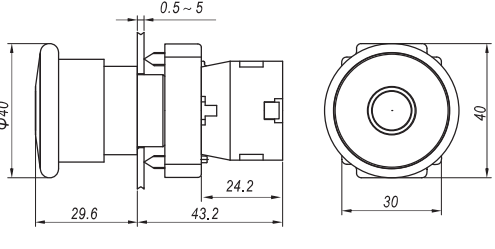
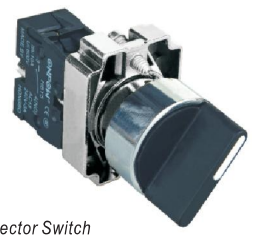
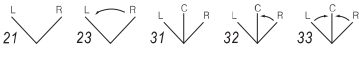
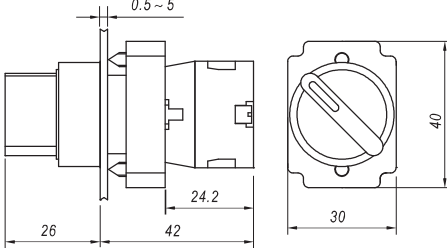
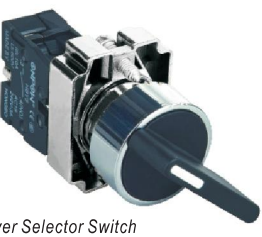
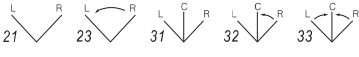
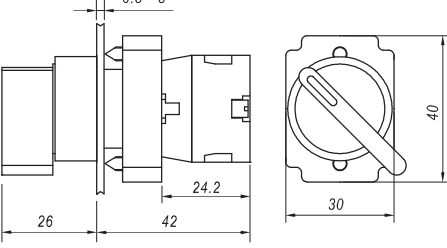


Contact□ 11: 1NO1NC / 10: 1NO / 01: 1NC
 Other switch combinations refer to the model description
 Operation■ Z: Latching / No letter: Momentary
 LED color△ **R G Y B W**
 LED voltage▲ 6V / 12V / 24V / 110V / 220V
 IP degree※ P: IP65 / No letter means IP40
 Accessory Sign frame T04/Protective cover T17



⊙ Voltage ≤ 60V, L=18; >60V, L=23.



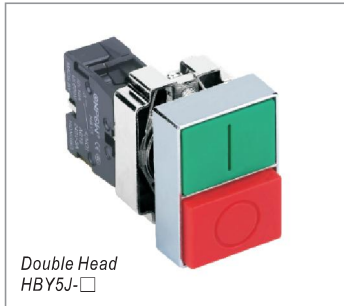
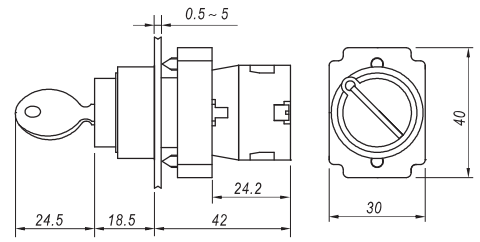
Product Picture	Description	Dimension
 <p>Mushroom Push button HBY5-□■M/△/※</p>	<p>Contact □ 11: 1NO1NC / 10: 1NO / 01: 1NC Other switch combinations refer to the model description</p> <p>LED color △ R G</p> <p>IP degree ※ P: IP65 / No letter means IP40</p> <p>Accessory Protective cover T31</p>	
 <p>Emergency stop button HBY5-□TS/※</p>	<p>Contact □ 11: 1NO1NC / 10: 1NO / 01: 1NC Other switch combinations refer to the model description</p> <p>IP degree ※ P: IP65 / No letter means IP40</p> <p>Accessory Warning ring T14-2260 / T26 protection ring</p>	
 <p>Push-pull emergency stop button HBY5-□MT/※</p>	<p>Contact □ 11: 1NO1NC / 10: 1NO / 01: 1NC Other switch combinations refer to the model description</p> <p>IP degree ※ P: IP65 / No letter means IP40</p> <p>Accessory Warning ring T14-2260 / T26 protection ring</p>	
 <p>Selector Switch HBY5-□X/◇/※</p>	<p>Contact □ 11: 1NO1NC / 20: 2NO / 02: 2NC Other switch combinations refer to the model description</p> <p>Operation ◇ ◆ </p> <p>(32 Default right momentary, left momentary can be customized)</p> <p>IP degree ※ P: IP65 / No letter means IP40</p> <p>Accessory T04 sign frame</p>	
 <p>Lever Selector Switch HBY5-□XB/◇/※</p>	<p>Contact □ 11: 1NO1NC / 20: 2NO / 02: 2NC Other switch combinations refer to the model description</p> <p>Operation ◇ ◆ </p> <p>(32 Default right momentary, left momentary can be customized)</p> <p>IP degree ※ P: IP65 / No letter means IP40</p> <p>Accessory T04 sign frame</p>	



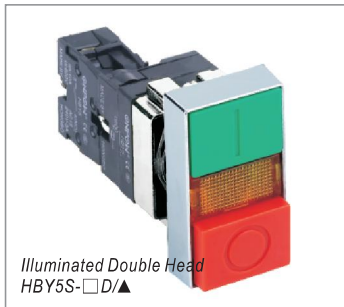
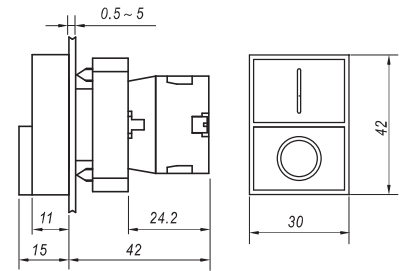
Product Picture Description Dimension



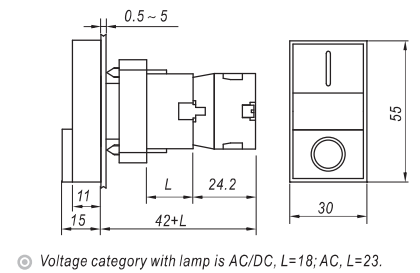
Contact □ 11: 1NO1NC / 20: 2NO / 02: 2NC
 Other switch combinations refer to the model description
 Operation ◇ ◆
 (32 Default right momentary, left momentary can be customized)
 IP degree P: IP65 / No letter means IP40
 Accessory T04 sign frame
 Two keys are supplied. The key can be pull out in one position or in both position.



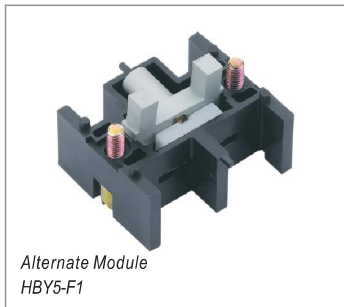
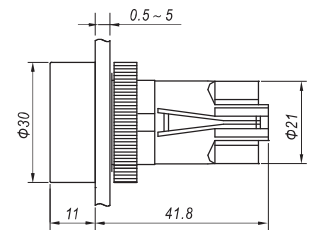
Contact □ 11: 1NO1NC / 10: 1NO / 01: 1NC
 Other switch combinations refer to the model description
 IP degree IP40
 Red & Green, Can't be used with lamp.



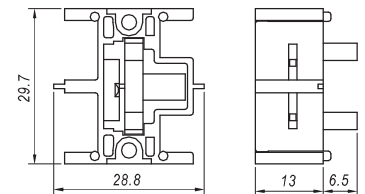
Contact □ 11: 1NO1NC / 10: 1NO / 01: 1NC
 Other switch combinations refer to the model description
 IP degree IP40
 Red & Green



Contact □ 11: 1NO1NC / 10: 1NO / 01: 1NC
 LED color △ R G Y B W N
 IP degree IP40
 Switch rating Ue: 220V Ui: 0.3AAC-14



Alternate function can be added to latching type using this fitting.



Product Overview

ONPOW26 series products use the center seat sliding toggle design, fast and reliable installation. Modular combination structure, easy maintenance and flexible combination; head protection level up to IP65. Light-emitting module for integrated structure, more compact size.

Specs Products include buttons, knobs, key knobs, push-pull spin-release emergency stop knobs, mushroom knobs. Φ22 mounting aperture, widely used.

Performance The switch is made of high quality flame retardant material, with good insulation performance, low contact resistance and vibration resistance. Product safety lock conforms to IEC60947-5-5, 6-2 standard. Product structure conforms to IEC60947-5-5, 6.3.2 standard; emergency stop products conform to IEC60947-5-1, Annex K, IEC60947-5-5, 5-2 standard.

Structure The switching element adopts "double-breakpoint slow-action, self-cleaning" structure, and the building block combination method. 1~8 switch elements can be combined in any way to meet the requirements of various specific control circuits. The switch adopts independent "piece" design, small volume, short length, more flexible combination; concealed The wiring terminal is more safe and reliable.

Protective Degree Protection class IP40, can customized to IP65



Switch Ratings

Rated Insulation Voltage(Ui)		500V						
Terminal Current (Ith)		10A Temperature rise does not exceed the current allowed by the maximum rating						
Rated Voltage		24V	48V	110V	220V	380V	500V	
Rated Current	AC 50/60Hz	Resistive load	10A	—	10A	6A	—	—
		Inductive load	10A	—	6A	3A	1.8A	1.4A
	DC	Resistive load	8A	4A	2.2A	1.1A	—	—
		Inductive load	4A	2A	1.1A	0.6A	—	—
Contact material		Silver alloy						

Minimum adaptable load: 3VAC/DC 5mA (available range depends on the use environment and load type)

Installation Dimensions and circuit diagram

Installation Dimensions

Circuit Diagram

The switch code is 11.
1, 2 are normal closed;
3, 4 are normal opened;

Type	A	B	C	Remark
Normal, Key-lock	≥ 50	≥ 40		1、Unit: mm 2、A and B both refer to the minimum size
Selector	≥ 50	≥ 40	Φ22	
Mushroom	≥ 50	≥ 50	Φ25	
Big Mushroom	≥ 70	≥ 70	Φ30	

Performance Characteristics

Operating temperature	-25 ~ + 55°C (no freezing) keep the air flowing around illuminated push button
Operation Humidity	45~85%RH (no condensation)
Use altitude	Installation location should not exceed 2000m above sea level
Contact Resistor	≤ 50mΩ
Insulation Resistor	≥ 100MΩ(500VDC)
Maximum withstand voltage	3000V, AC 50Hz, 1min
Vibration Resistance	50Hz, Amplitude 1.0mm
Mechanical Life	Momentary knob ≥ 1 million times
	key knob, emergency stop button ≥ 200,000 times
	Latching knob, selection knob ≥ 500,000 times
Electrical Life	≥ 50,000 times
Connection	Screw terminal, connecting ability: Min : 1×0.5mm
	Max: 2×1.5mm ² (with connecting link) Max: 1×2.5mm ² (without connecting link)
Operating force	8N(1NO1NC), 14N(2NO2NC)
Operation Travel	Approx. 5.5 mm (button)
Pollution Degree	3 degrees

Lamp Ratings

LED Life	Rated Current	Voltage fluctuation	Lamp Circuit Diagram
≥ 40000 hours	≤ 24V approx. 15mA ≥ 110V approx. 2mA	DC: ±0% AC: 20%	<p>Use inner protection resistors and no positive or negative distinction.</p>

ONPOW26 Series model description

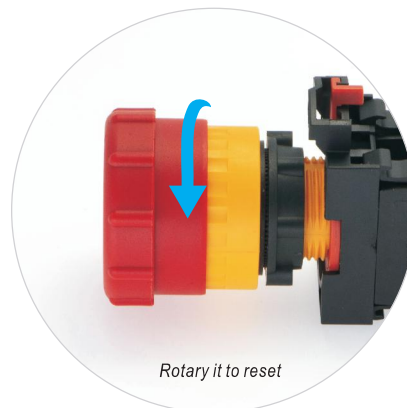
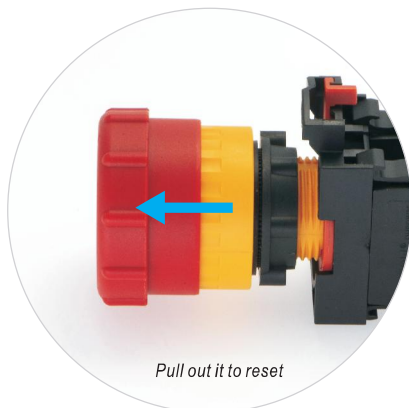
ONPOW26-□■◆●/△/▲/※

Symbol	Symbol name	Specify
□	Contact structure	11(1NO1NC) / 10(1NO) / 01(1NC) / 20(2NO) / 02(2NC) 22(2NO2NC) / 40(4NO) / 04(4NC) / 31(3NO1NC) / 13(1NO3NC) 30(3NO) / 03(3NC) / 21(2NO1NC) / 12(1NO2NC)
■	Operation type	No letter means ordinary self-repeating button / Z: self-locking button / P: metal flat button / E: ring with light / X: knob / Y: key / M: mushroom button / MB: Mushroom button type B / TSA: Emergency stop button type A / TSB: Emergency stop button type B / TSC: Emergency stop button type C Selector button and key button
◇	Selector Knob and Key Knob Operation position	2: Two position / 3: Three position
◆	Selector Knob and Key Knob operation Type	1 maintain / 2 half return / 3 self return
△	Lamp color	R: Red / G: Green / Y: Yellow / B: Blue / W: White/ N: Black
▲	Lamp voltage	6V / 12V / 24V / 110V / 220V / Other voltage can be customized / 220VC(can be customized):AC220V capacitor step-down
※	IP Degree	FP: IP67 / P: IP65 / No letter means IP40

There are two ways to release the emergency stop button

Press the actuator to lock, pull out or rotate it to reset.

Pull out or rotate the actuator can reset operation, so it is more safe and convenient.



Complies with international standards Security lock structure

Even if it is inadvertently touched, the button contact of the switch will not be disconnected, until the structure of the operation unit is loc.

This feature complies with IEC60947-5-5, 6-2 standard, and can prevent emergency stop.

Direct open circuit action function

Even if the contact is fused, the circuit can be cut off by pressing the button hard to open the contact.

Comply with IEC60947-5-1, Enclosure K, IEC60947-5-5, 5-2)


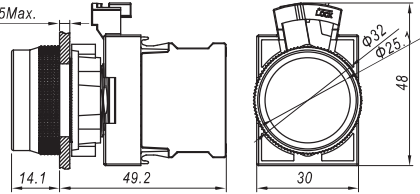

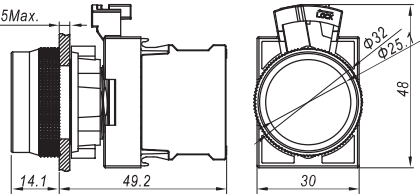

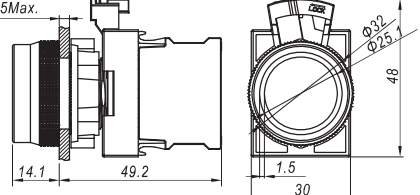

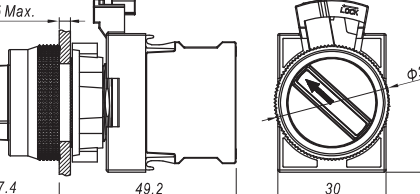

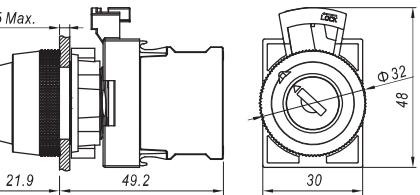
Safety button design

The operation head has a structure to prevent foreign matters from being sandwiched between the button and the panel.

The operation head structure is designed to prevent the button from being forcibly removed at the front of the panel.

Comply with IEC60947-5-5, 6.3.2)

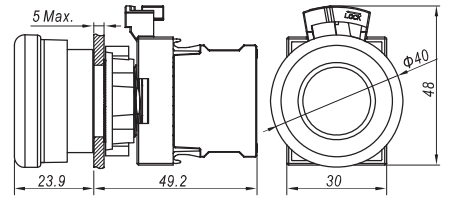


Product Picture	Description	Dimension
 <p>Flat Head Pushbutton ONPOW26-□■P/※</p>	<p>Contact □ 11: 1NO1NC / 10: 1NO / 01: 1NC Other switch combinations refer to the model description</p> <p>Operation type ■ Z: Latching / No letter means momentary</p> <p>IP degree ※ P: IP65 / No letter means IP40</p>	 <p>5 Max. 14.1 49.2 30 48 ∅32 ∅25</p>
 <p>Flat Head Pushbutton (can be illuminated) ONPOW26-□■/△/▲/※</p>	<p>Contact □ 11: 1NO1NC / 10: 1NO / 01: 1NC Other switch combinations refer to the model description</p> <p>Operation type ■ Z: Latching / No letter means momentary</p> <p>LED color △ R G Y B W N</p> <p>LED voltage ▲ 6V / 12V / 24V / 110V / 220V</p> <p>IP degree ※ P: IP65 / No letter means IP40</p>	 <p>5 Max. 14.1 49.2 30 48 ∅32 ∅25</p>
 <p>Ring type push button (can be illuminated) ONPOW26-□■E/△/▲/※</p>	<p>Contact □ 11: 1NO1NC / 10: 1NO / 01: 1NC Other switch combinations refer to the model description</p> <p>Operation type ■ Z: Latching / No letter means momentary</p> <p>LED color △ R G Y B W N</p> <p>LED voltage ▲ 6V / 12V / 24V / 110V / 220V</p> <p>IP degree ※ P: IP65 / No letter means IP40</p>	 <p>5 Max. 14.1 49.2 30 48 1.5 ∅32 ∅25</p>
 <p>Selector switch (can be illuminated) ONPOW26-□X/◆◇/△/▲/※</p>	<p>Contact □ 11: 1NO1NC / 20: 2NO / 02: 2NC Other switch combinations refer to the model description</p> <p>Operation ◇ ◆</p> <p>LED color △ R G Y B W N</p> <p>LED voltage ▲ 6V / 12V / 24V / 110V / 220V</p> <p>IP degree ※ P: IP65 / No letter means IP40</p>	 <p>5 Max. 27.4 49.2 30 48 ∅32</p>
 <p>Key switch ONPOW26-□Y/◆◇/※</p>	<p>Contact □ 11: 1NO1NC / 20: 2NO / 02: 2NC Other switch combinations refer to the model description</p> <p>Operation ◇ ◆</p> <p>IP degree ※ P: IP65 / No letter means IP40</p>	 <p>5 Max. 21.9 49.2 30 48 ∅32</p>

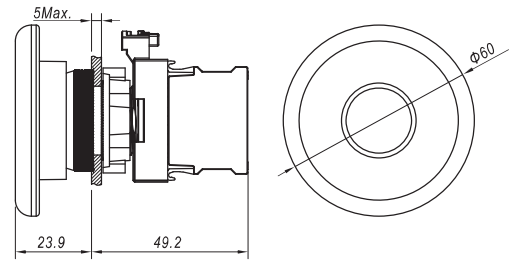
Product Picture Description Dimension



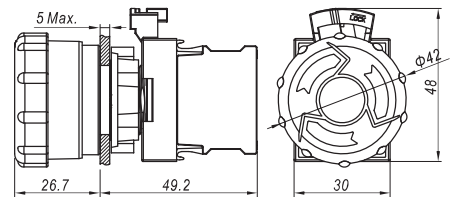
Contact □ 11: 1NO1NC / 10: 1NO / 01: 1NC
Other switch combinations refer to the model description
Operation type ■ Z: Latching / No letter means momentary
LED color △ R G
LED voltage ▲ 6V / 12V / 24V / 110V / 220V
IP degree ※ P:IP65 / No letter means IP40



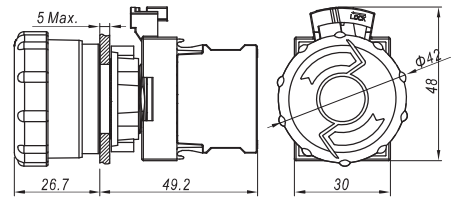
Contact □ 11: 1NO1NC / 10: 1NO / 01: 1NC
Other switch combinations refer to the model description
Operation type ■ Z: Latching / No letter means momentary
LED color △ R G
LED voltage ▲ 6V / 12V / 24V / 110V / 220V
IP degree ※ P:IP65 / No letter means IP40



Operation Push-lock, pull/turn-reset
Contact □ 11: 1NO1NC / 10: 1NO / 01: 1NC
Other switch combinations refer to the model description
LED voltage ▲ 6V / 12V / 24V / 110V / 220V
IP degree ※ P:IP65 / No letter means IP40
Accessory Warning ring T14-2260 / Protective ring T26



Operation Push-lock, pull/turn-reset
Contact □ 11: 1NO1NC / 10: 1NO / 01: 1NC
Other switch combinations refer to the model description
LED voltage ▲ 6V / 12V / 24V / 110V / 220V
IP degree ※ P:IP65 / No letter means IP40
Accessory Warning ring T14-2260 / Protective ring T26



Operation Push-lock, pull/turn-reset
Contact □ 11: 1NO1NC / 10: 1NO / 01: 1NC
Other switch combinations refer to the model description
LED voltage ▲ 6V / 12V / 24V / 110V / 220V
IP degree ※ P:IP65 / No letter means IP40
Accessory Warning ring T14-2260

