



BXM47

BXM Serial number

BXM47-☆□/■

Symbol	Symbol name	Specify
☆	Type of side plate	A : side plate without lug / B : side plate with lug
□	Number of holes	1: single hole / 2: two holes / 3: three holes / 4: four holes / 5: five holes / Other holes can be customized
■	Opening diameter	16: Φ 16mm / 19: Φ 19mm / 22: Φ 22mm / Other apertures can be customized

Dimension

	single hole	two holes	three holes	four holes	five holes
L	0mm	33mm	66mm	99mm	132mm

Note: L is the distance between the center points of two holes, and the box length is 66.5+L.

BXM6076



BXM Serial number

BXM6076-☆□/■

Symbol	Symbol name	Specify
☆	Type of side plate	A :side plate without lug / B:side plate with lug
□	Number of holes	1:single hole / 2:two holes / 3:three holes / 4:four holes / 5:five holes / Other holes can be customized
■	Opening diameter	22: Φ 22mm / Other apertures can be customized

Dimension

	single hole	two holes	three holes	four holes	five holes
L	0mm	33mm	66mm	99mm	132mm

Note: L is the distance between the center points of two holes, and the box length is 66.5+L.

BXA button box



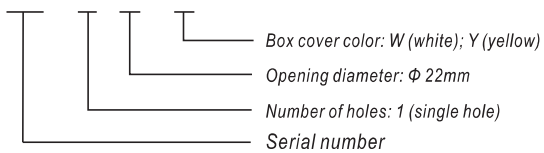
Overview

- It is waterproof, dust-proof and oil proof, and suitable for harsh working environment.
- It can be used in petroleum, chemical industry, metallurgy and other high dust, weak acid and weak alkali corrosive occasions.
- It can be used as the control box of power transmission, distribution, lighting and other industries.
- Applicable product: all the $\Phi 22\text{mm}$ push button switch.
- Waterproof grade: IP65.

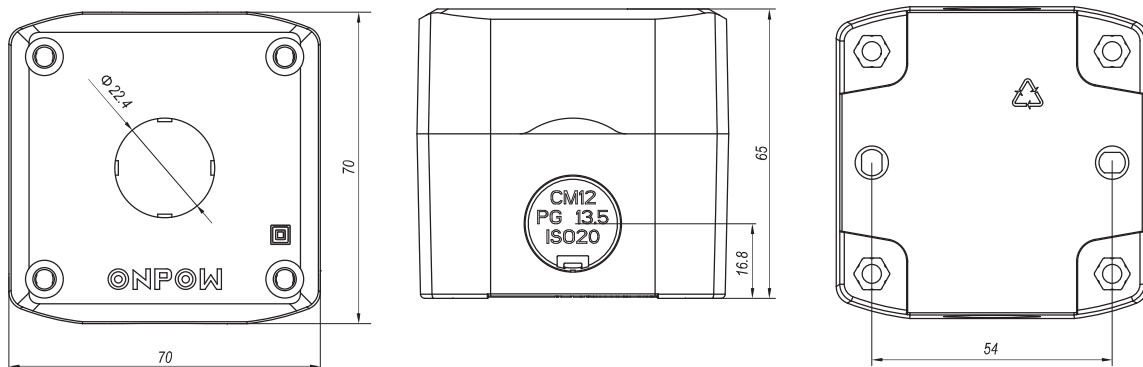


Description

BXA - □ / ■ / △

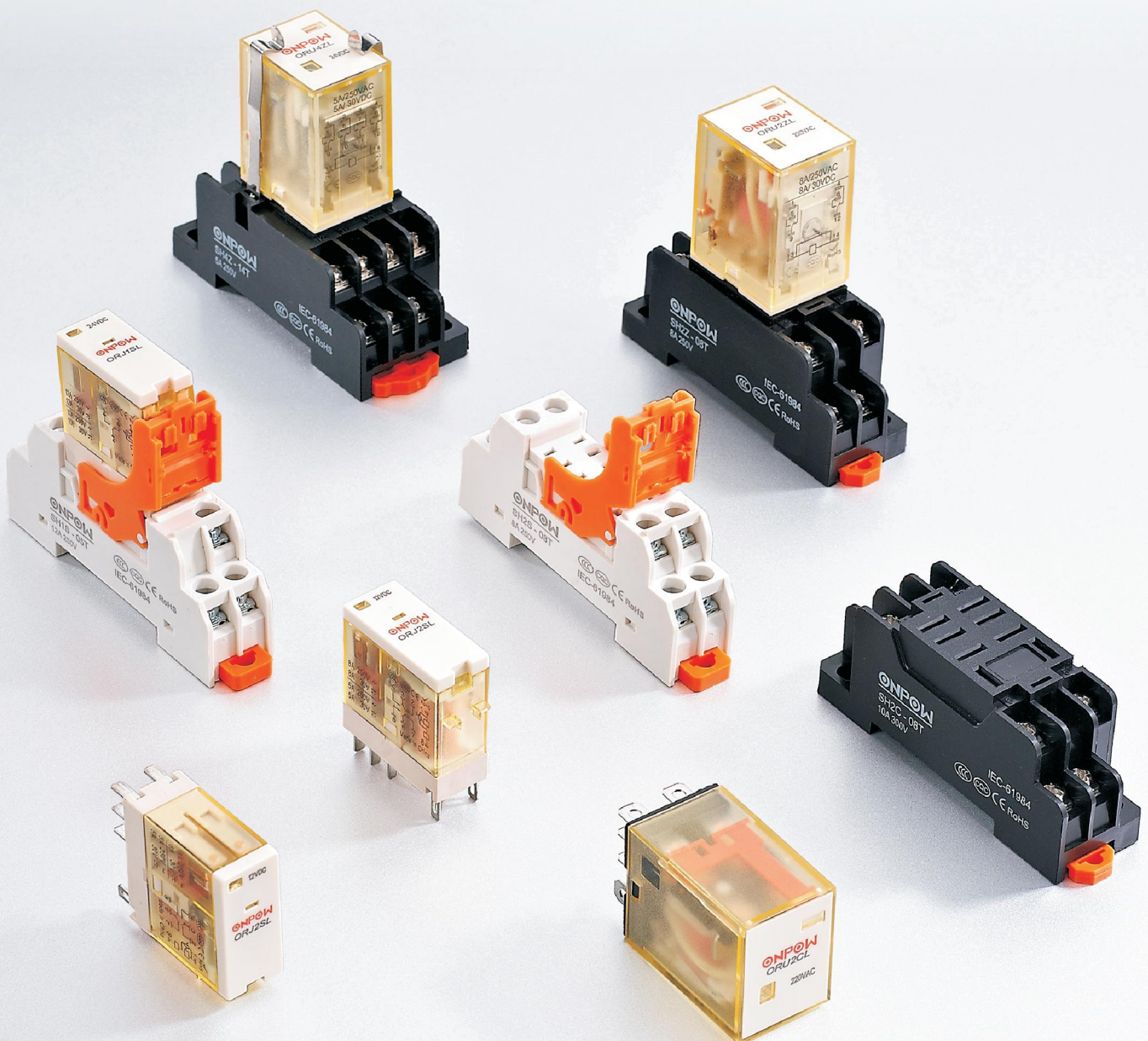


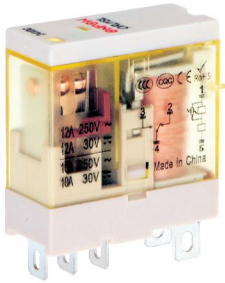
Specification



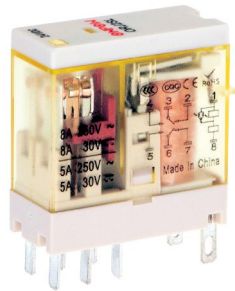
ORJ/ORU relay

- ☆ All copper enough turn coil, silver alloy contact, stable and reliable
- ☆ Small size, easy installation
- ☆ Various specifications, equipped with LED indicator device
- ☆ With mechanical indicating window
- ☆ High sensitivity
- ☆ Plug in installation





ORJ1SL

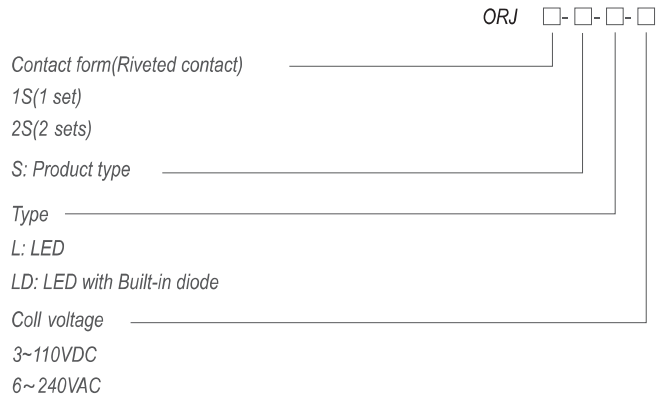


ORJ2SL

Product features

- > Small size, easy to assemble
- > High contact load, 1S 12A; 2S 8A
- > High sensitivity
- > Plug-in installation

Model Number Structure



Specifications

Contact Ratings	Contact form	1S	2S
	Rated load(Resistive load)	12A / 250VAC, 30VDC	8A / 250VAC, 30VDC
	Switching power(Resistive load)	3000VA,360W	2000VA,240W
	Contact resistance(initial)	≤50mΩ	
	Contact materials	Ag alloy	
	Electrical life	1×10 ⁵ cycles	
	Mechanical life	AC: 3×10 ⁷ cycles	
		DC: 5×10 ⁷ cycles	
	Pull-in voltage (23°C)	DC: ≤75% (rated voltage), AC: ≤80% (rated voltage) 50/60Hz (rated voltage)	
	Release voltage (23°C)	DC: ≥10% (rated voltage), AC: ≥30% (rated voltage) 50/60Hz (rated voltage)	
Maximum voltage (23°C)	110% (rated voltage)		
Coil power consumption	DC(W)	Approx. 0.53	
	AC(VA)	Approx. 0.9	
Pull-in time (rated voltage)	≤20ms		
Release time (rated voltage)	AC	≤20ms	
	DC	≤10ms, Built in freewheeling diode type: ≤20ms	
Insulation resistance	≥1000MΩ(500VDC)		
Performance parameter	Dielectric Strength	Between contacts of same polarity	1000VAC/1min
		Between contacts of different polarity	3000VAC/1min(Leakage current 1mA)
		Between contact and coil	5000VAC/1min(Leakage current 1mA)
Ambient temperature	-40~70°C		
Ambient humidity	5%~85%RH		
Atmospheric pressure	86~106KPa		
Shock resistance	stability	98m/S ²	
	strength	980m/S ²	
Vibration resistance	10~55Hz double amplitude: 1.5mm		
Installation mode	Plug-In type		
Packaging form	Dust-proof cover		
Weight	Approx. 20g		

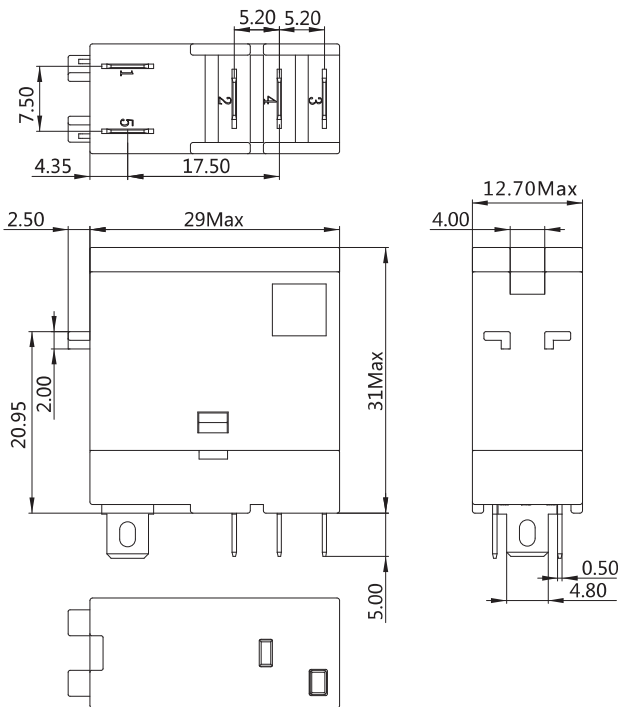
Coil Ratings (23°C)

Rated Voltage V.DC	6	12	24	36	48	100-110	
Coil resistance Ω	68	270	1080	2440	4300	18800	
Rated Voltage V.AC	6	12	24	48	115	230	240
Coil resistance Ω	16	62	240	1080	6000	23000	25000

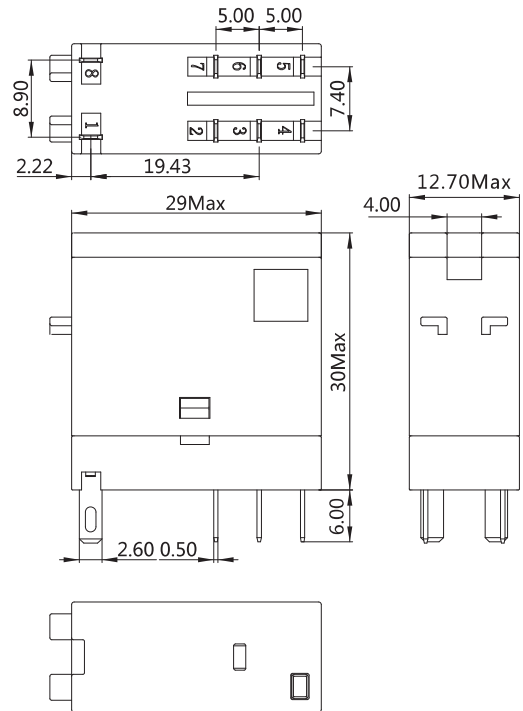
Note: Coil resistance tolerance: Nominal value of coil rated voltage < 110V±10%Ω, ≥ 110V±15%Ω.

Dimensions (mm)

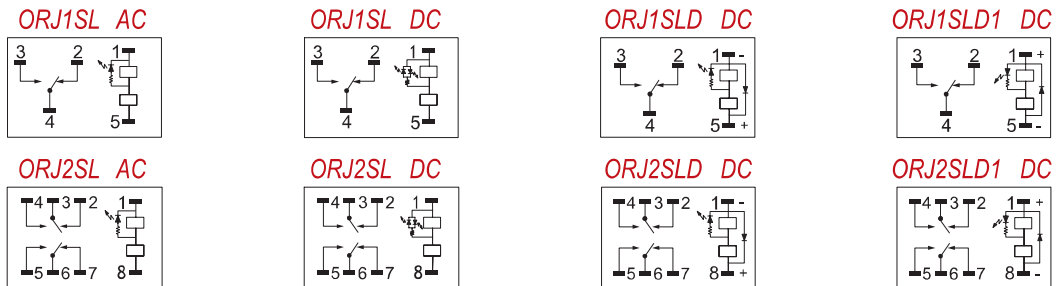
ORJ1SL



ORJ2SL



Connecting diagram





Product features

- > Load 2Z 7A; 4Z 5A
- > Various specifications, equipped with LED indicator device
- > With mechanical indicator window
- > Plug-in installation

Model Number Structure

Contact form(Riveted contact)

2Z: 2 changeover

3Z: 3 changeover

4Z: 4 changeover

Z: Product type

Type

J: Welding type

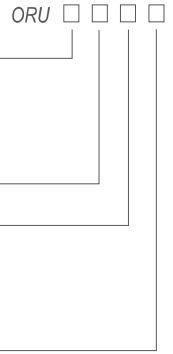
L: LED

LD: LED with Built-in diode

Coil voltage

6~200VDC

6~380VAC



Specifications

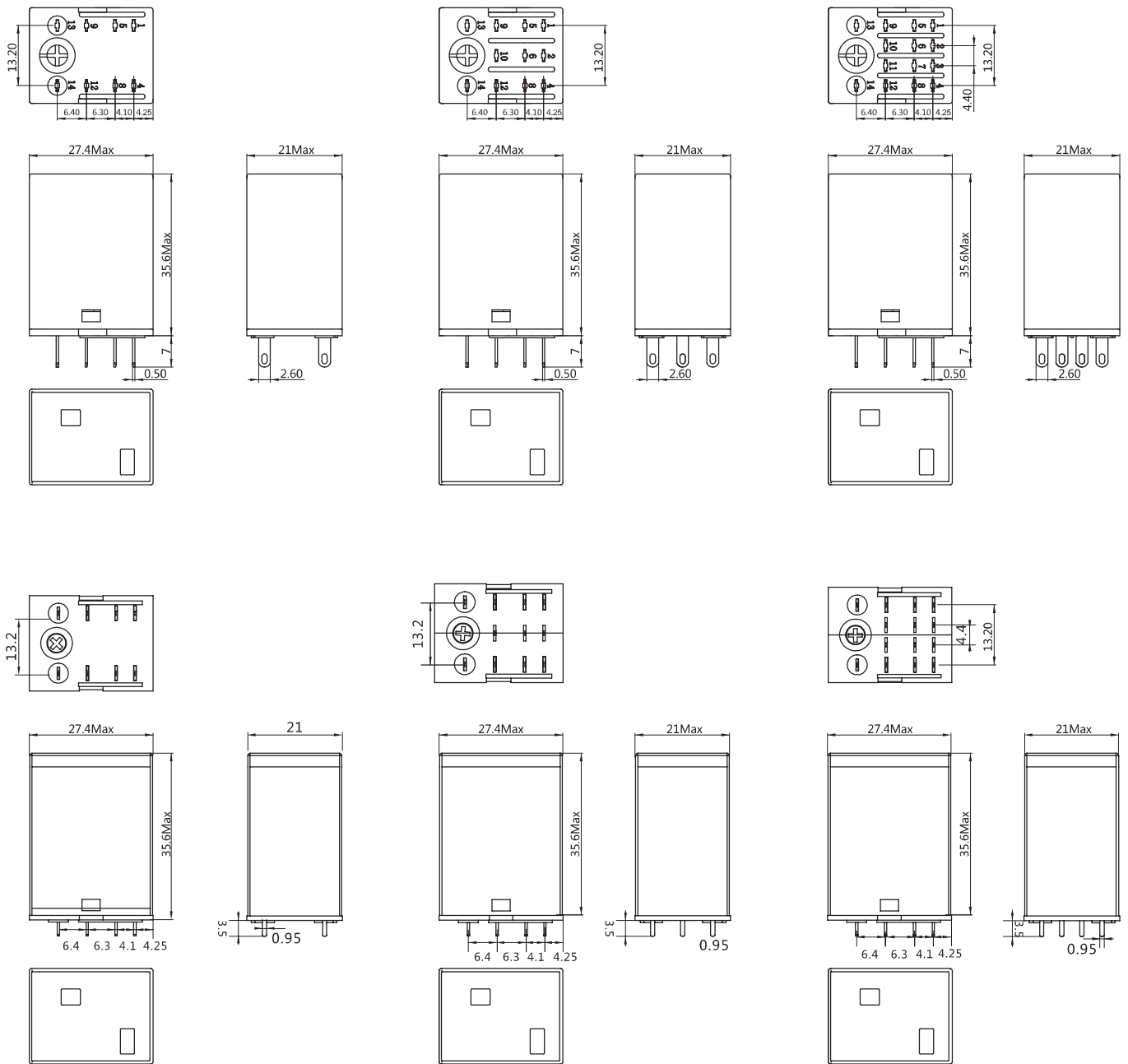
Contact Ratings	Contact form	2Z,3Z	4Z	
	Rated load(Resistive load)	7A / 250VAC, 30VDC	5A / 250VAC, 30VDC	
	Switching power(Resistive load)	2000VA,240W	1250VA,150W	
	Contact resistance(initial)	≤50mΩ		
	Contact materials	Ag alloy		
	Electrical life	1×10 ⁵ cycles		
	Mechanical life	AC: 2×10 ⁷ cycles		
		DC: 5×10 ⁷ cycles		
	Pull-in voltage (23°C)	DC: ≤75% (rated voltage), AC: ≤80% (rated voltage) 50/60Hz (rated voltage)		
	Release voltage (23°C)	DC: ≥10% (rated voltage), AC: ≥30% (rated voltage) 50/60Hz (rated voltage)		
Maximum voltage (23°C)	110% (rated voltage)			
Performance parameter	Coil power consumption	DC(W)	Approx. 0.9	
		AC(VA)	Approx. 1.2	
	Pull-in time (rated voltage)	≤20ms		
	Release time (rated voltage)	AC	≤25ms	
		DC	≤15ms, Built in freewheeling diode type: ≤25ms	
	Insulation resistance	≥1000MΩ(500VDC)		
		Between contacts of same polarity	1000VAC/1min	
		Dielectric Strength	Between contacts of different polarity	2Z: 2000VAC/1min(Leakage current 1mA)
	Between contact and coil		4Z: 1500VAC/1min(Leakage current 1mA)	
			2000VAC/1min(Leakage current 1mA)	
Ambient temperature	-40~70°C			
Ambient humidity	5%~85%RH			
Atmospheric pressure	86~106KPa			
Shock resistance	stability	98m/S ²		
	strength	980m/S ²		
Vibration resistance	10~55Hz double amplitude: 1mm			
Installation mode	Plug-In type			
Packaging form	Dust-proof cover			
Weight	Approx. 32g			

Coil Ratings (23°C)

Rated Voltage V.DC	6	12	24	48	100~110	220
Coil resistance Ω	41	165	662	2725	11440	53780
Rated Voltage V.AC	12	24	48	110~120	220~240	
Coil resistance Ω	45	180	785	4430	15900	

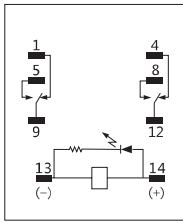
Note: Coil resistance tolerance: Nominal value of coil rated voltage < 110V±10%Ω, ≥110V 1±15%Ω.

Dimensions (mm)

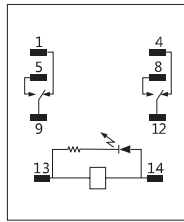


Connecting diagram

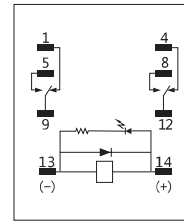
ORU2ZL DC



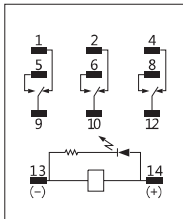
ORU2ZL AC



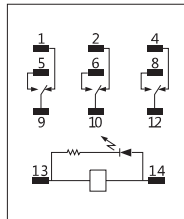
ORU2ZLD DC



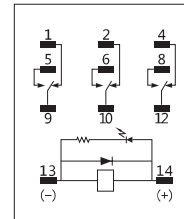
ORU3ZL DC



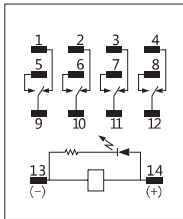
ORU3ZL AC



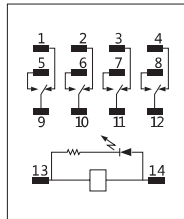
ORU3ZLD DC



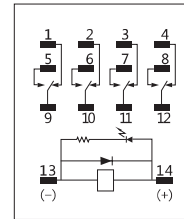
ORU4ZL DC



ORU4ZL AC



ORU4ZLD DC





Soldering
ORU2CJL



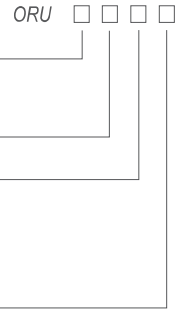
Plug-in
ORU2CL

Product features

- > Load 2C 10A
- > Various specifications, equipped with LED indicator device
- > With mechanical indicator window
- > Plug-in installation

Model Number Structure

Contact form (Riveted contact)
 2C: 2 changeover
 Z: Product type
 Type
 J: Welding type
 L: LED
 LD: LED with Built-in diode
 Coil voltage
 6~220VDC
 6~380VAC



Specifications

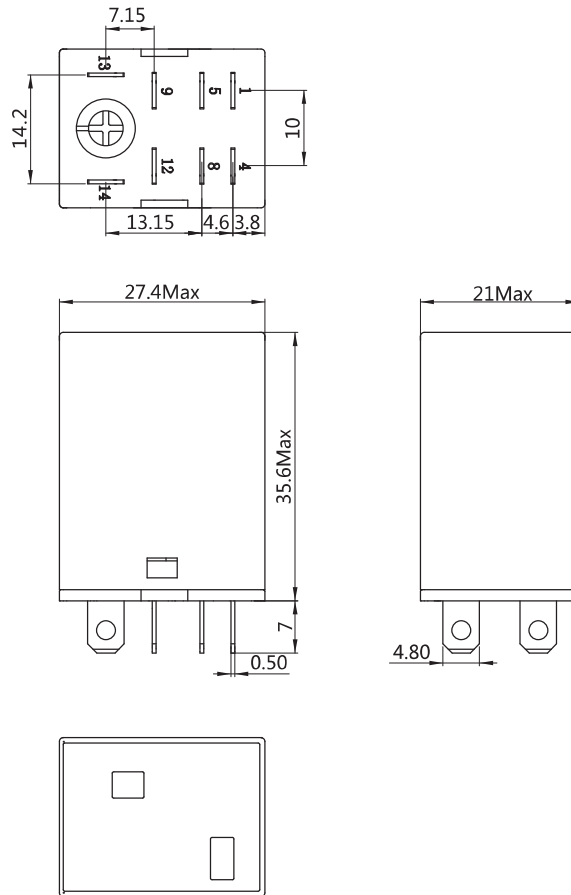
Contact Ratings	Contact form	2C	
	Rated load(Resistive load)	10A / 250VAC, 30VDC	
	Switching power(Resistive load)	2500VA,300W	
	Contact resistance(initial)	≤50mΩ	
	Contact materials	Ag alloy	
	Electrical life	1×10 ⁵ cycles	
	Mechanical life	AC: 2×10 ⁷ cycles DC: 5×10 ⁷ cycles	
Performance parameter	Pull-in voltage (23°C)	DC: ≤75% (rated voltage), AC: ≤80% (rated voltage) 50/60Hz (rated voltage)	
	Release voltage (23°C)	DC: ≥10% (rated voltage), AC: ≥30% (rated voltage) 50/60Hz (rated voltage)	
	Maximum voltage (23°C)	110% (rated voltage)	
	Coil power consumption	DC(W)	Approx. 0.9
		AC(VA)	Approx. 1.2
	Pull-in time (rated voltage)	≤20ms	
	Release time (rated voltage)	AC	≤25ms
		DC	≤15ms, Built in freewheeling diode type: ≤25ms
	Insulation resistance	≥1000MΩ(500VDC)	
	Dielectric Strength	Between contacts of same polarity	1000VAC/1min
		Between contacts of different polarity	2000VAC/1min(Leakage current 1mA)
		Between contact and coil	2000VAC/1min(Leakage current 1mA)
	Ambient temperature	-40~70°C	
	Ambient humidity	5%~85%RH	
	Atmospheric pressure	86~106KPa	
Shock resistance	stability	98m/S ²	
	strength	980m/S ²	
Vibration resistance	10~55Hz double amplitude: 1mm		
Installation mode	Plug-In type		
Packaging form	Dust-proof cover		
Weight	Approx. 32g		

Coil Ratings (23°C)

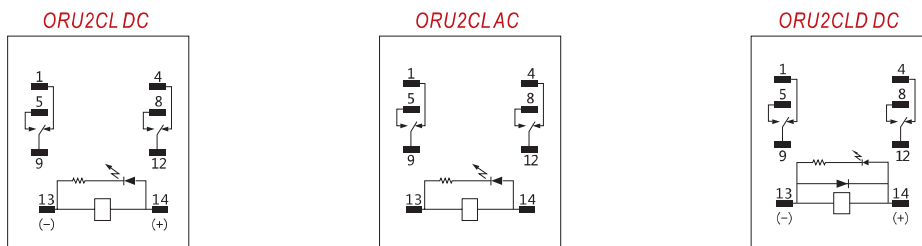
Rated Voltage V.DC	6	12	24	48	100~110	220
Coil resistance Ω	41	165	662	2725	11440	53780
Rated Voltage V.AC	12	24	48	110~120	220~240	
Coil resistance Ω	45	180	785	4430	15900	

Note: Coil resistance tolerance: Nominal value of coil rated voltage < 110V±10%Ω, ≥110V 1±15%Ω.

Dimensions (mm)

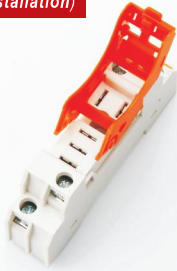


Connecting diagram



SH1S-05T (Guide rail installation)

Applicable to
ORJ1SL



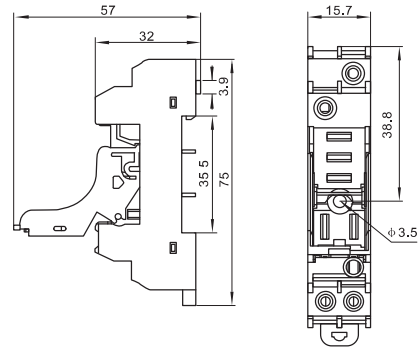
Specifications

Model	SH1S-05T		
Nominal Load	Current	A	12
	Voltage	V	250VAC/VDC
Dielectric Strength	Between Coil and Contact	V/S	4000
	Between contacts of the same polarity	V/S	1000
	Between contacts of the different polarity	V/S	3000
Torque	N.m	1.0	
Wire Size	AWG/mm ²	20-14/0.5-2.5	
Ambient temperature	°C	-40~70	
Weight	g	24	

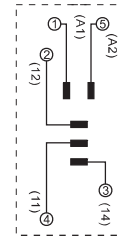
Accessories

Model	Plastic retaining and release clip	Metal retaining clip
SH1S-05T	Assembled	-

Dimensions (mm)

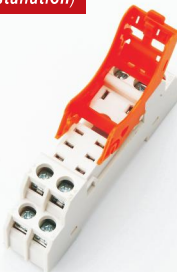


Internal connections



SH2S-08T (Guide rail installation)

Applicable to
ORJ2SL



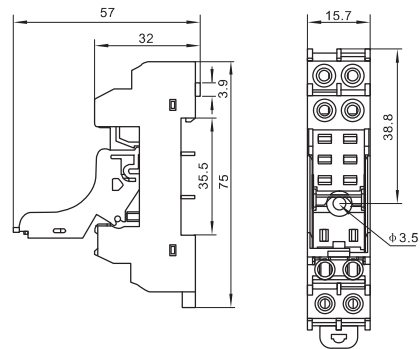
Specifications

Model	SH2S-08T		
Nominal Load	Current	A	8/10
	Voltage	V	250VAC/VDC
Dielectric Strength	Between Coil and Contact	V/S	4000
	Between contacts of the same polarity	V/S	1000
	Between contacts of the different polarity	V/S	3000
Torque	N.m	1.0	
Wire Size	AWG/mm ²	20-14/0.5-2.5	
Ambient temperature	°C	-40~70	
Weight	g	29	

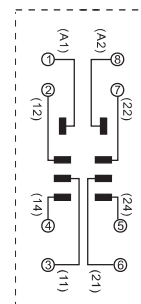
Accessories

Model	Plastic retaining and release clip	Metal retaining clip
SH2S-08T	Assembled	-

Dimensions (mm)



Internal connections



SH2Z-08T (Guide rail installation)

Applicable to
ORU2ZL
ORU2FL



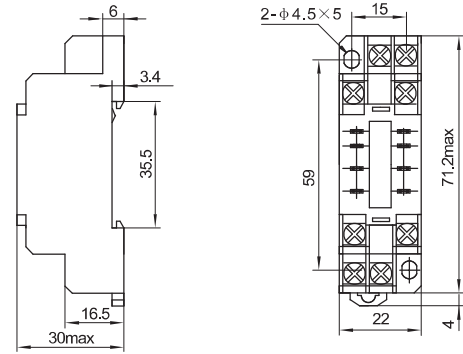
Specifications

Model	SH2Z-08T		
Nominal Load	Current	A	8
	Voltage	V	250VAC/VDC
Dielectric Strength	Between Coil and Contact	V/S	4000
	Between contacts of the same polarity	V/S	1000
	Between contacts of the different polarity	V/S	3000
Torque	N.m	1.0	
Wire Size	AWG/mm ²	20-14/0.5-2.5	
Ambient temperature	°C	-40~70	
Weight	g	30	

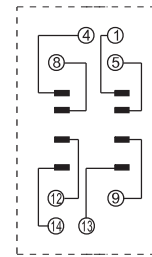
Accessories

Model	Plastic retaining and release clip	Metal retaining clip
SH2Z-08T	-	Optional

Dimensions (mm)



Internal connections



SH2Z-14T (Guide rail installation)

Applicable to
ORU4ZL
ORU4FL



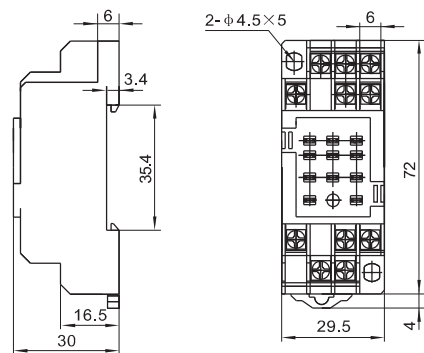
Specifications

Model	SH4Z-14T		
Nominal Load	Current	A	5
	Voltage	V	250VAC/VDC
Dielectric Strength	Between Coil and Contact	V/S	4000
	Between contacts of the same polarity	V/S	1000
	Between contacts of the different polarity	V/S	3000
Torque	N.m	1.0	
Wire Size	AWG/mm ²	20-14/0.5-2.5	
Ambient temperature	°C	-40~70	
Weight	g	44	

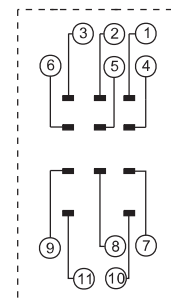
Accessories

Model	Plastic retaining and release clip	Metal retaining clip
SH4Z-14T	-	Optional

Dimensions (mm)



Internal connections



SH2C-08T (Guide rail installation)

Applicable relay
ORU2CL



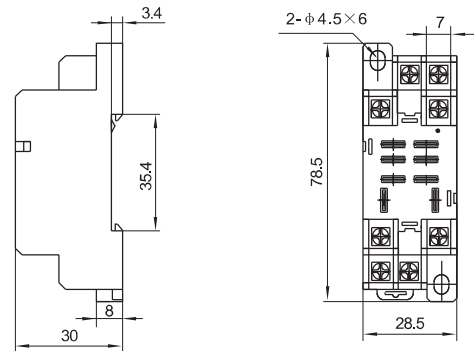
Specifications

Model	SH2C-08T		
Nominal Load	Current	A	10
	Voltage	V	250VAC/VDC
Dielectric Strength	Between Coil and Contact	V/S	4000
	Between contacts of the same polarity	V/S	1000
	Between contacts of the different polarity	V/S	3000
Torque		N.m	1.0
Wire Size		AWG/mm ²	20-14/0.5-2.5
Ambient temperature		°C	-40~70
Weight		g	31

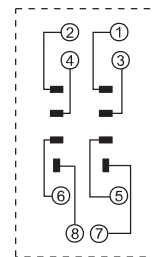
Accessories

Model	Plastic retaining and release clip	Metal retaining clip
SH2C-08T	-	Optional

Dimensions (mm)



Internal connections



SH1S-05J (Welding)

Applicable to
ORJ1SL



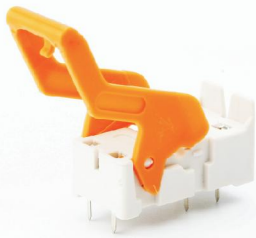
SH2S-08J (Welding)

Applicable to
ORJ2SL



SH1H-05J (Welding)

Applicable to
ORJ1H



SH2H-08J (Welding)

Applicable to
ORJ2H



SH2Z-08TB (Guide rail installation)

Applicable to
ORU2ZL



SH4Z-14TB (Guide rail installation)

Applicable to
ORU4ZL



SH2C-08TB (Guide rail installation)

Applicable to
ORU2CL



SH1S-05TM (Guide rail installation)

Applicable to
ORU1SL



With module protection

SH2S-08TM (Guide rail installation)

Applicable to
ORU2SL



With module protection

SH2Z-08TM (Guide rail installation)

Applicable to
ORU2ZL



SH4Z-14TM (Guide rail installation)

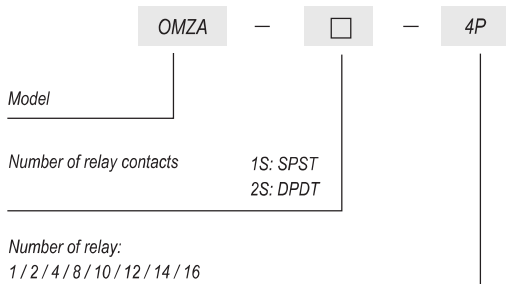
Applicable to
ORU4ZL



Product features

- A set of independent relay modules;
- Built in ORJ type electromagnetic relay, load capacity 8A250VAC(RES.), 8A30VDC(RES.), CCC CQC CE certification;
- Input mode: terminal strip input, common between NPN and PNP, common between AC and DC;
- Different groups of independent LED working status indicator and surge suppression protection circuit;
- The output terminal is provided with overvoltage protection;
- Installation of bottom TS15/28/35 guide rail.

Part Number Description

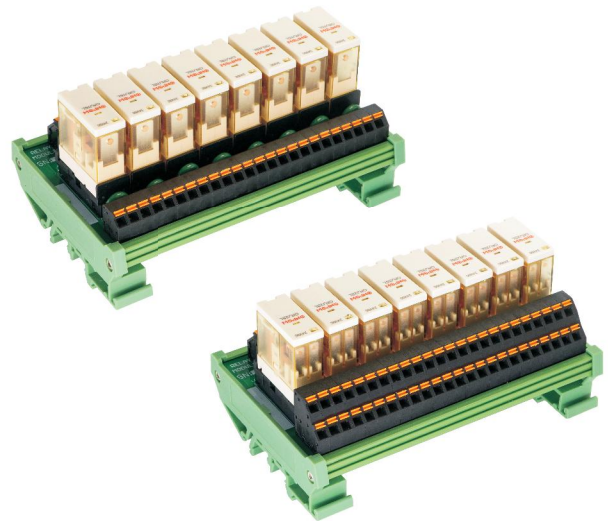


Dimensions

Number of relays	Size(mm)
1	18×85×70
2	40×85×70
4	70×85×70
6	100×85×70
8	130×85×70
10	160×85×70
12	190×85×70
14	220×85×70
16	250×85×70

Application

It is used for PLC output load current amplification and isolation protection. It is installed at the digital output terminal of PLC, SCM industrial control board, time relay, button and other controllers. It amplifies the control current at the output terminal. It is used for loading high-power equipment, weak current control strong current and other occasions to protect the core control system from damage.

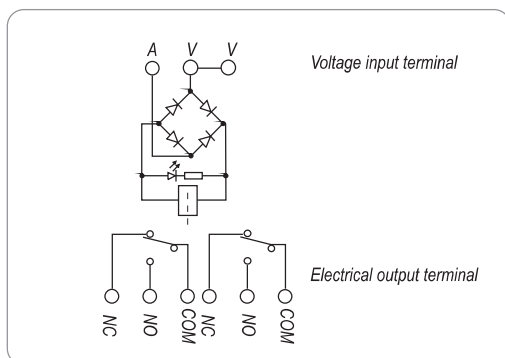


Technical parameter

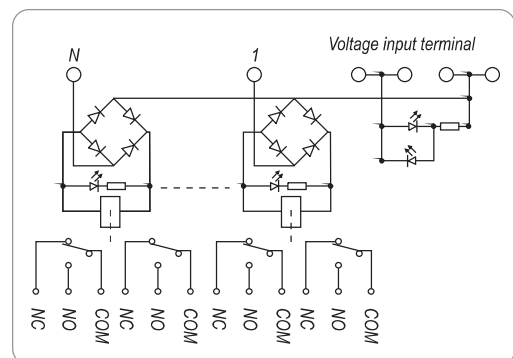
Voltage of input terminal	Rated voltage DC/AC±10%
Relay installation	Plug in
Rated load current	12A250VAC/30DC (1 group)
	8A250VAC/30DC (2 groups)
Max. instantaneous load current	12A (1 group) 8A(2 groups)
Classic input current under U_n	6.5mA
Classic response time under U_n	0.5mS
Classic release time under U_n	15mS
Input and output connection mode	Screw connection
Suitable for cable	0.2~2.5mm ²
Strip length	6~7mm
Installation guide rail size	15/28/35mm
Net weight test withstand voltage	2.5KV,50Hz,1min
Ambient temperature range	-20°C~50°C
Power consumption	0.53W

Overall design

Professional circuit design, with short circuit, anti-interference, output over-voltage or over-current protection circuit, safe, reliable and advanced production process using wave soldering, clean and generous appearance and ensure product quality.



Wiring diagram



Product features

- ◉ A set of independent relay modules;
- ◉ Built-in ORJ type electromagnetic relay, load capacity 12A250VAC(RES.), 12A30VDC(RES.), CCC CQC CE certification;
- ◉ Input mode: terminal strip input, common between NPN and PNP, common between AC and DC;
- ◉ Different groups of independent LED working status indicator and surge suppression protection circuit;
- ◉ Output terminal is provided with over-voltage protection;
- ◉ Installation of bottom TS15/28/35 guide rail.

Part Number Description

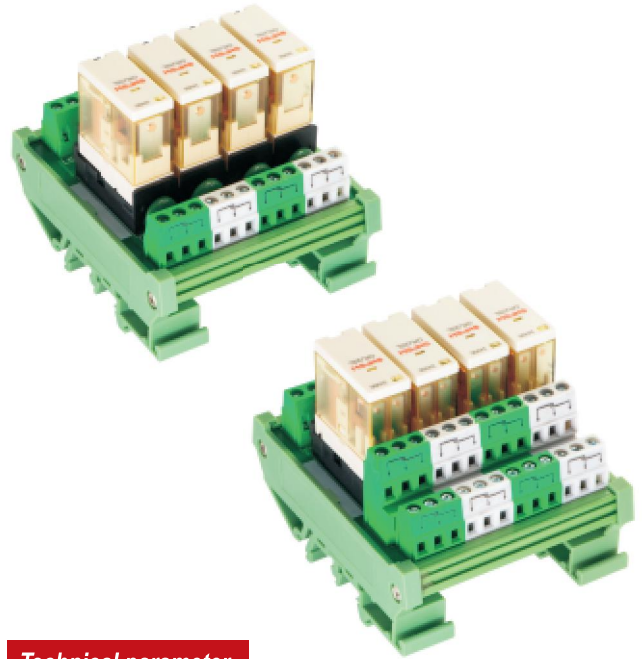
OMZB	—	□	—	4P
Model				
Number of relay contacts	1S: SPST 2S: DPDT			
Number of relay:	1 / 2 / 4 / 8 / 10 / 12 / 14 / 16			

Dimensions

Number of relays	Size(mm)
1	18×85×70
2	40×85×70
4	70×85×70
6	100×85×70
8	130×85×70
10	160×85×70
12	190×85×70
14	220×85×70
16	250×85×70

Application

It is used for PLC output load current amplification and isolation protection. It is installed at the digital output terminal of PLC, SCM industrial control board, time relay, button and other controllers. It amplifies the control current at the output terminal. It is used for loading high-power equipment, weak current control strong current and other occasions to protect the core control system from damage.

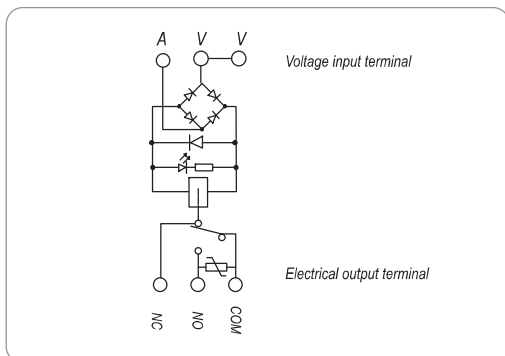


Technical parameter

Voltage of input terminal	Rated voltage DC/AC±10%
Relay installation	Plug in
Rated load current	12A250VAC/30DC (1 group) 8A250VAC/30DC (2 groups)
Max. instantaneous load current	12A (1 group) 8A(2 groups)
Classic input current under Un	6.5mA
Classic response time under Un	0.5mS
Classic release time under Un	15mS
Input and output connection mode	Screw connection
Suitable for cable	0.2~2.5mm ²
Strip length	6~7mm
Installation guide rail size	15/28/35mm
Net weight test withstand voltage	2.5KV,50Hz,1min
Ambient temperature range	-20°C~50°C
Power consumption	0.53W

Overall design

Professional circuit design, with short circuit, anti-interference, output over-voltage or over-current protection circuit, safe, reliable and advanced production process using wave soldering, clean and generous appearance and ensure product quality.



Wiring diagram

