

Warning light **HBJD-50C**

- ⊙ The appearance is exquisite and compact, and the workmanship is exquisite.
- ⊙ Uniform luminescence, high efficiency and energy saving, and long service life.
- ⊙ The lampshade is made of high-quality resin, sturdy and durable.
- ⊙ GX16 aviation plug and tail wiring are optional, and it can also be installed on the side with a bracket.
- ⊙ When the warning lamp is in the power-off state, the lamp body is colorless and does not refract the surrounding light sources to avoid false indications.
- ⊙ Signal light can be customized IP67



HBJD-50C Part Number Description

HBJD-50C-□ /▲/●

Symbol	Representation	Description
□	Signal source	D: Continual light / S: Flash light / DZ:Continual light and buzzer / SZ:Flash light and Discontinuous Buzzer
▲	Rating voltage	24VDC
●	Installation method	Y: Wire lead (length 700mm) / AP: Aviation plug

Performance Characteristic

Storage temperature	-30℃~+80℃
Operating temperature	-25℃~+55℃
relative humidity	≤98%
Altitude	≤2000m
Vibration resistance	50Hz,Amplitude 1.2mm
Continuous working time	4000hours(LED type: Continual light)
	25000hours(LED type: Flash light)
Sound pressure intensity	70~80dB(1m)
Pollution level	Level 3 (conducting pollution, or dry non-conductive pollution is conductive due to condensation)

Precautions

In order to prevent fire, electric shock and other injury accidents, users must pay attention to the following matters

- ⊙ The power supply must be turned off before installation, construction and maintenance!
- ⊙ There should be no open flame around the positioning of this product, and the working environment is ≤55℃!
- ⊙ The power cable must meet safe use standards!
- ⊙ The installation foundation and installation connection must be reliable and stable!
- ⊙ The installation and maintenance of this product must be operated by professionals!

Product picture	Description	Dimension
-----------------	-------------	-----------



Aviation plug
GX16-5P
1.Red LED
2.Yellow LED
3.Green LED
4.Power supply
5.Buzzer

24VDC



Aviation plug
GX16-4P
1.Red LED
2.Yellow LED
3.Green LED
4.Power supply

24VDC



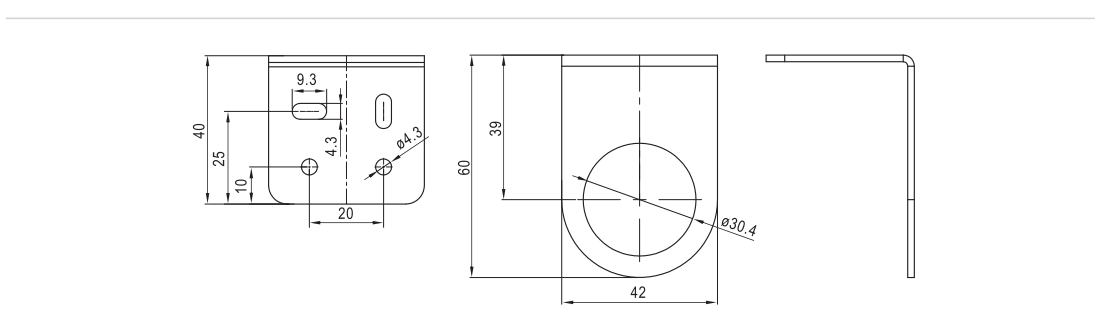
5-core sheathed wire
1.Red LED
2.Yellow LED
3.Green LED
4.Power supply
5.Buzzer

24VDC



4-core sheathed wire
1.Red LED
2.Yellow LED
3.Green LED
4.Power supply

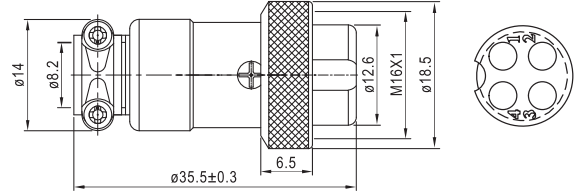
24VDC



Product picture Dimension



HBJD-GX16-4PM



HBJD-GX16-5PM

