

Contactless Sensor Switch

- ◉ Adjustable sensor distance
- ◉ No contact, reduces the risk of infection
- ◉ Waterproof, shockproof and corrosion resistant, resistant to strong light interference



Main application areas



Contactless Sensor switch for scenarios



Places where a large number of unspecified people will be operating

ONPOW91 series part-number description

ONPOW91 ☆ ◆ □ ■ ● ◎ ▲

Symbol	Representation	Description
☆	Mounting diameter	19: Φ19mm / 22: Φ22mm / 25: Φ25mm
◆	Switch function	D: ● dot / E: ○ ring (19mm non ring) No letter indicates no light
□	Switch type	10B: Normally open momentary (low level output) , Customizable high-level output and other functions
	Terminal type	Y: Leading (about 30cm) ,other wire length can be customized .
◎	Crust material	SS: Stainless steel ,other materials or colors can be customized .
	LED color	Dot: NR None/Red NG None/Green Ring: NR None/Red NG None/Green RG Red/Green GR Green/Red Other colors can be customized.
	Voltage	6VDC, 12VDC, 24VDC

Note :Please read the specific instructions of the product carefully ,and select the corresponding code in this table according to different symbols.

ONPOW92 series part-number description

ONPOW92 ☆ ◇ ◆ □ ■ ● ◎ ▲

Symbol	Representation	Description
☆	Mounting diameter	19 :Φ19mm
◇	Switch function	10Z: Normally open latching 100:Normally open momentary (Normally closed to be customized)
◆	Illuminated type	E: Ring illuminated (for stainless steel), Other symbol can be customized.
□	Switch type	N: low level(NPN) output; P: high level(PNP) output .
	Terminal type	Y: Leading (about 30cm) ,other wire length can be customized .
◎	Crust material	SS: Stainless steel ;PC: polycarbonate; other materials or colors can be customized .
	LED color	NB: Null blue ,other colors can be customized .
	Voltage	6VDC, 12VDC, 24VDC

Note :Please read the specific instructions of the product carefully ,and select the corresponding code in this table according to different symbols.

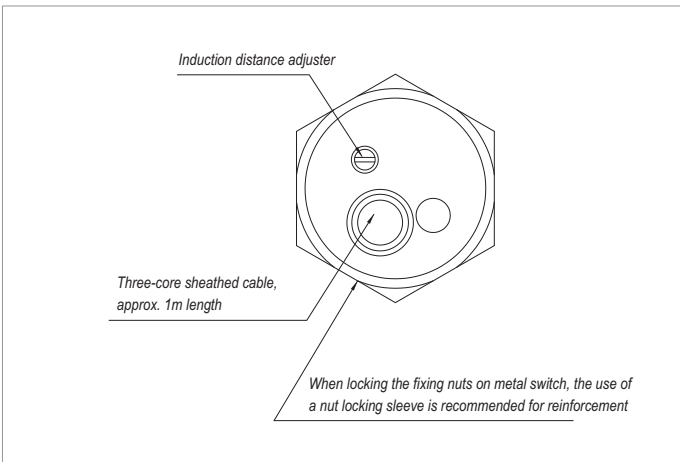
ONPOW91 Main Electrical Characteristics

Working Voltage of Power Supply	ring: DC6V, DC12~24V dot: DC6V~24V
Output current	300mA
Quiescent current	≤8mA
Sensing distance	The sensing distance is adjustable from 4 to 15cm(different sensing objects have different distances)
Electrical life	> 1 million times
Working environment illumination	Sunlight below 10000LX, incandescent lamp below 3000LX
Environmental temperature (no freezing)	keep in storage: -40 ~+80 work: -25 ~+75
Environmental humidity (no condensation)	keep in storage: 35%~95%RH work: 45%~85%RH
Maximum withstand voltage	1500V, 50Hz, 1minute
Vibration resistance	50Hz, amplitude approximately 1.2mm, 1hour
Nut torque	About 0.8Nm
Protective degree	IP65

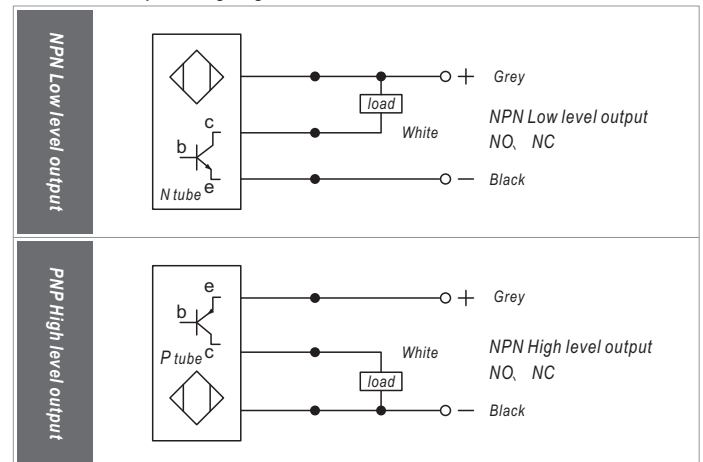
ONPOW92 Main Electrical Characteristics

Working Voltage of Power Supply	DC6V, 12V, 24V
Output current	500mA
Quiescent current	3mA
Sensing distance	1-8cm, default to 5cm, other customizable
Electrical life	> 1 million times
Working environment illumination	Sunlight below 10000LX, incandescent lamp below 3000LX
Environmental temperature (no freezing)	Sunlight below 10000LX, incandescent lamp below 3000LX
Environmental humidity (no condensation)	keep in storage: -40 ~+80 work: -25 ~+75
Maximum withstand voltage	1000V, 50Hz, 1minute
Vibration resistance	50Hz, amplitude approximately 1.2mm, 1hour
Nut torque	About 0.6Nm
Protective degree	IP67

ONPW91 Terminal view



ONPOW92 Output wiring diagram



ONPOW91 & ONPOW92 Comparison of main parameters

Information		Models ONPOW91 Series The sensing distance is adjustable	ONPOW92 Series Small size, multi-function
Size	Mounting diameter	Φ19 Φ22 Φ25 Φ30mm	Φ19mm
	Terminal length (back of the panel)	About 57mm	About 13mm
	Head height (front panel)	1.8~2.3mm	Stainless steel: 1.8mm PC: 3mm
	Sensing distance	4 ~15cm(Adjustable)	1 ~8cm(The default is 5cm)
Function	Switch function (conventional model)	NO momentary (ow level output)	NO momentary (ow level output) NO latching(low level output) NO momentary (high level output) NO latching(high level output)
	Working Current	300mA	500mA
	Type with lamp	● Dot ○ Ring	○ Ring Patterns can be customized(PC version)
	Head protection rating	IP65	IP67
	Shell material	Stainless steel	Stainless steel / PC

ONPOW92 Product display



Switch function ◊ 10Z: Normally open latching
10: Normally open momentary
Normally closed to be customized

Switch type □ N: low level(NPN) output;
P: high level(PNP) output .

LED color NB: Null blue ,other colors can be customized .

Voltage 6VDC / 12VDC / 24VDC



Switch function ◊ 10Z: Normally open latching
10: Normally open momentary
Normally closed to be customized

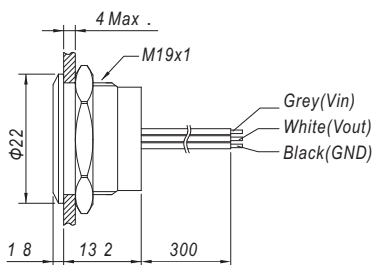
Switch type □ N: low level(NPN) output;
P: high level(PNP) output .

LED color NB: Null blue ,other colors can be customized .

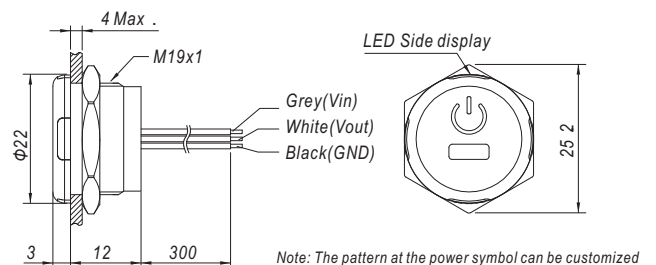
Voltage 6VDC / 12VDC / 24VDC

ONPOW92 dimensions

ONPOW9219 ◊ E □ YSS △ ▲



ONPOW9219 ◊ D □ YPC △ ▲



ONPOW91 Product display



No lights
ONPOW911910BYSS ▲

Switch function NO momentary (low level output)
Terminal type Leading (about 120cm)
Crust material Stainless steel
Voltage 6VDC / 12VDC / 24VDC



Single point with light
ONPOW9119D10BYSS ▲ ▲

Type with lamp Dot
Switch type NO momentary (low level output)
Terminal type Leading (about 120cm)
Crust material Stainless steel
LED color NR None/Red NG None/Green
Voltage 6VDC / 12VDC / 24VDC



No lights
ONPOW912210BYSS ▲

Switch function NO momentary (low level output)
Terminal type Leading (about 120cm)
Crust material Stainless steel
Voltage 6VDC / 12VDC / 24VDC



Single point with light
ONPOW9122D10BYSS ▲ ▲

Type with lamp Dot
Switch type NO momentary (low level output)
Terminal type Leading (about 120cm)
Crust material Stainless steel
LED color NR None/Red NG None/Green
Voltage 6VDC / 12VDC / 24VDC



Circular strip lamp
ONPOW9122E10BYSS ▲ ▲

Type with lamp Ring
Switch type NO momentary (low level output)
Terminal type Leading (about 120cm)
Crust material Stainless steel
LED color NR None/Red NG None/Green RG Red/Green
GR Green/Red
Voltage 6VDC / 12VDC / 24VDC



No lights
ONPOW912510BYSS ▲

Switch function NO momentary (low level output)
Terminal type Leading (about 120cm)
Crust material Stainless steel
Voltage 6VDC / 12VDC / 24VDC



Single point with light
ONPOW9125D10BYSS ▲ ▲

Type with lamp Dot
Switch type NO momentary (low level output)
Terminal type Leading (about 120cm)
Crust material Stainless steel
LED color NR None/Red NG None/Green
Voltage 6VDC / 12VDC / 24VDC

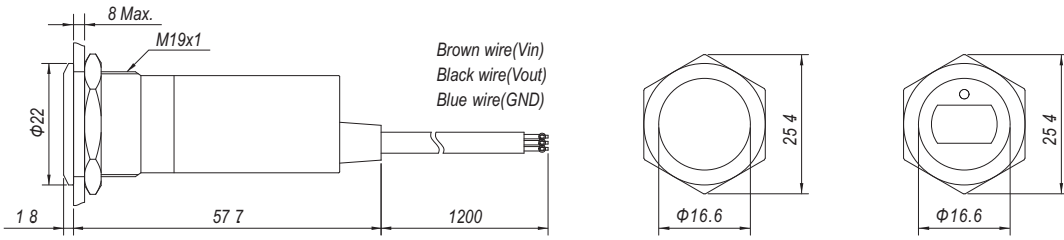


Circular strip lamp
ONPOW9125E10BYSS ▲ ▲

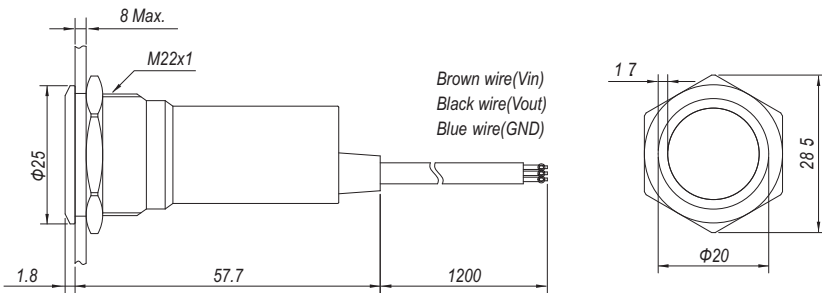
Type with lamp Ring
Switch type NO momentary (low level output)
Terminal type Leading (about 120cm)
Crust material Stainless steel
LED color NR None/Red NG None/Green RG Red/Green
GR Green/Red
Voltage 6VDC / 12VDC / 24VDC

ONPOW91 dimensions

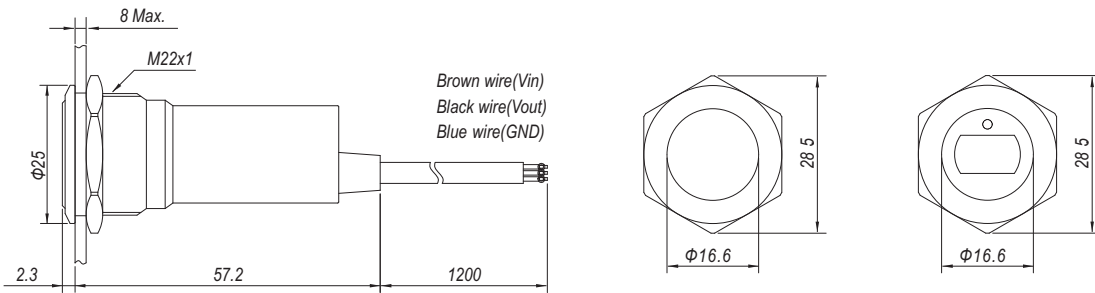
ONPOW9119



ONPOW9122



ONPOW9122



ONPOW9125

